


Compliance

CE certificated post, compliant with standard UNI EN 40-5. 

Description

Lamp post composed of elements in UNI EN 1561 cast iron with core in S235J UNI EN 10219-1 steel, hot-galvanized to UNI EN ISO 1461 standards, corresponding in shape, size and ornamentation to the diagrams, which are an integral part of the specifications.

The core (A) is made up of three tubes of different cross-sections, according to the internal diameter of the cast iron elements (diam. 13.3 x 110 cm - diam. 8.9 x 294 cm - diam. 6.0 x 149 cm), welded together at their junctions (B). The post is suitable for flange fixing (diam. cm 26.6 - thickness 1.8 cm) on a foundation plinth (P). It is provided with an M10 earthing bolt marked by a small indicator plate, a slot (D, height 18.6 x 4.5 cm) for the installation of a Class II insulation terminal board with or without fuse (Conchiglia).

The cast iron post is made up of a number of elements that are fitted over each other so as to prevent water infiltration. The elements are as follows:

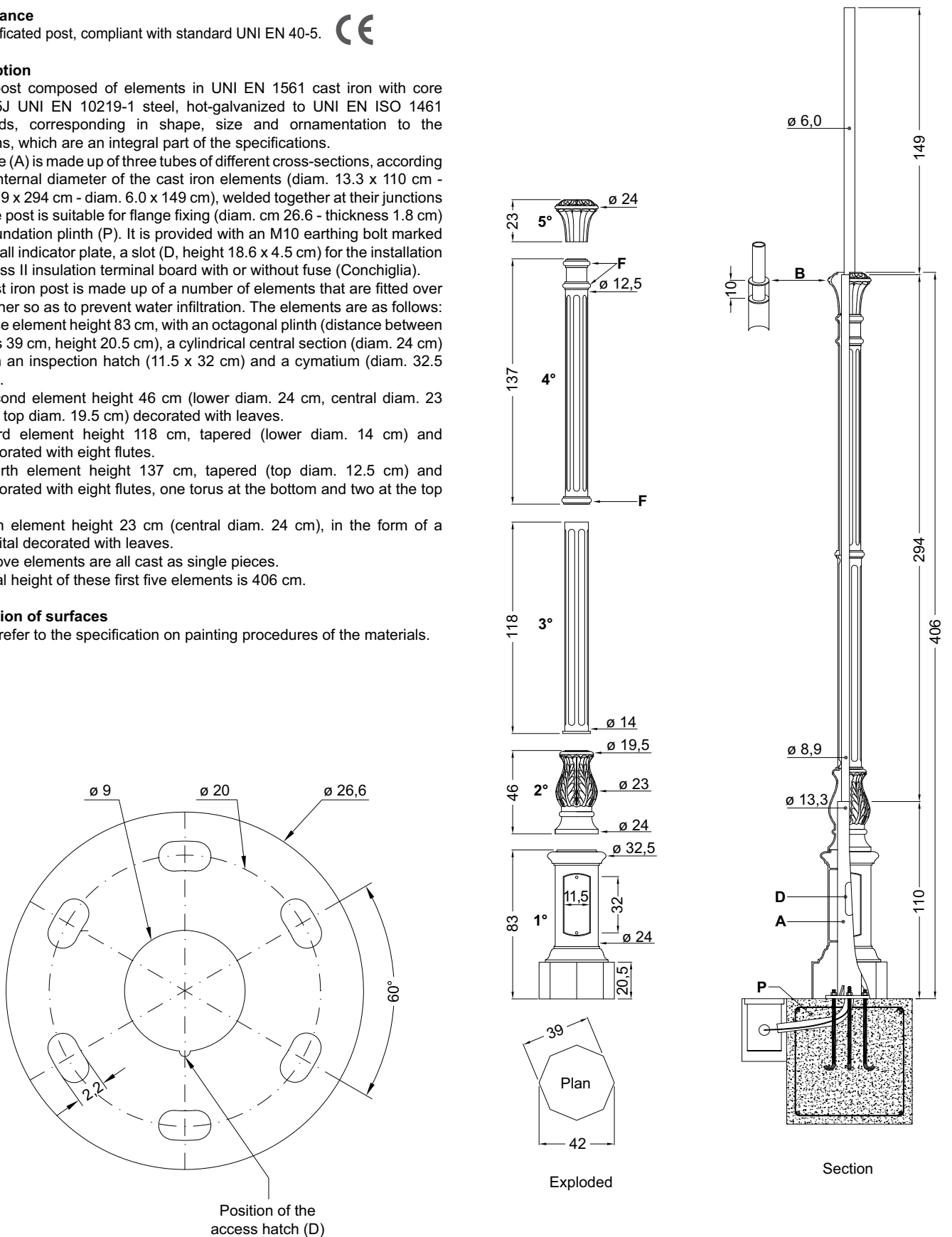
- 1° Base element height 83 cm, with an octagonal plinth (distance between flats 39 cm, height 20.5 cm), a cylindrical central section (diam. 24 cm) with an inspection hatch (11.5 x 32 cm) and a cymatium (diam. 32.5 cm).
- 2° Second element height 46 cm (lower diam. 24 cm, central diam. 23 cm, top diam. 19.5 cm) decorated with leaves.
- 3° Third element height 118 cm, tapered (lower diam. 14 cm) and decorated with eight flutes.
- 4° Fourth element height 137 cm, tapered (top diam. 12.5 cm) and decorated with eight flutes, one torus at the bottom and two at the top (F).
- 5° Fifth element height 23 cm (central diam. 24 cm), in the form of a capital decorated with leaves.

The above elements are all cast as single pieces.

The total height of these first five elements is 406 cm.

Protection of surfaces

Please refer to the specification on painting procedures of the materials.



Flange plan
Scale 1:4

NOTE: The measurements are in centimetres.

Neri S.p.A. Property - Any reproduction and use for its own purposes is forbidden.