

## Use

Suitable support for suspended light fixtures.

## Materials

Made in steel (S235J UNI EN 10219-1), hot dip galvanized in according to UNI EN ISO 1461. Screws in stainless steel.

## Description

The top section is made up of the following elements:

The top is composed as follows:

- 1°) A steel tube to insert on the post (A), composed of two tubes welded together (dimensions: diam. cm 8.9 x 127 - diam. cm 6.0 x 27.5), equipped with holes (diam. 4 cm) for the passage of the power cord. Fixing obtained with six grains M10 (L).
- 2°) A lower support ring in hot galvanized steel, with a hole (diam. 3 cm) for the passage of the power cable, fixed with four grains M8 to the element (1°).
- 3°) An upper support ring in hot-galvanized steel. Fastened to the push rod with three stainless steel M6 screws (1°).
- 4°) A rectangular steel plate, to be interpose between the rings (2°) and the arm (6°).

5°) A cable sleeve in plastic material, to be interpose between the arm (6°) and the plate (4°).

6°) An arm in hot-galvanized steel, 77.5 cm lenght, consisting of a horizontal tube (diam. 6 cm); a terminal tube (C) 17.5 cm lenght - diam. 7.6 cm) with an internal thread G3/4"(G) for fixing the luminaire and a cap of inspection (F) in plastic material; a ring (E) with fitting for coupling the tie rod (7°). The arm is fixed to the ring 2° with two M8 screws.

7°) A tie rod in hot-galvanized steel, 59 cm lenght (diam. 1.4 cm) fixed with two M6 screws to the ring (E) and to the element 3°.

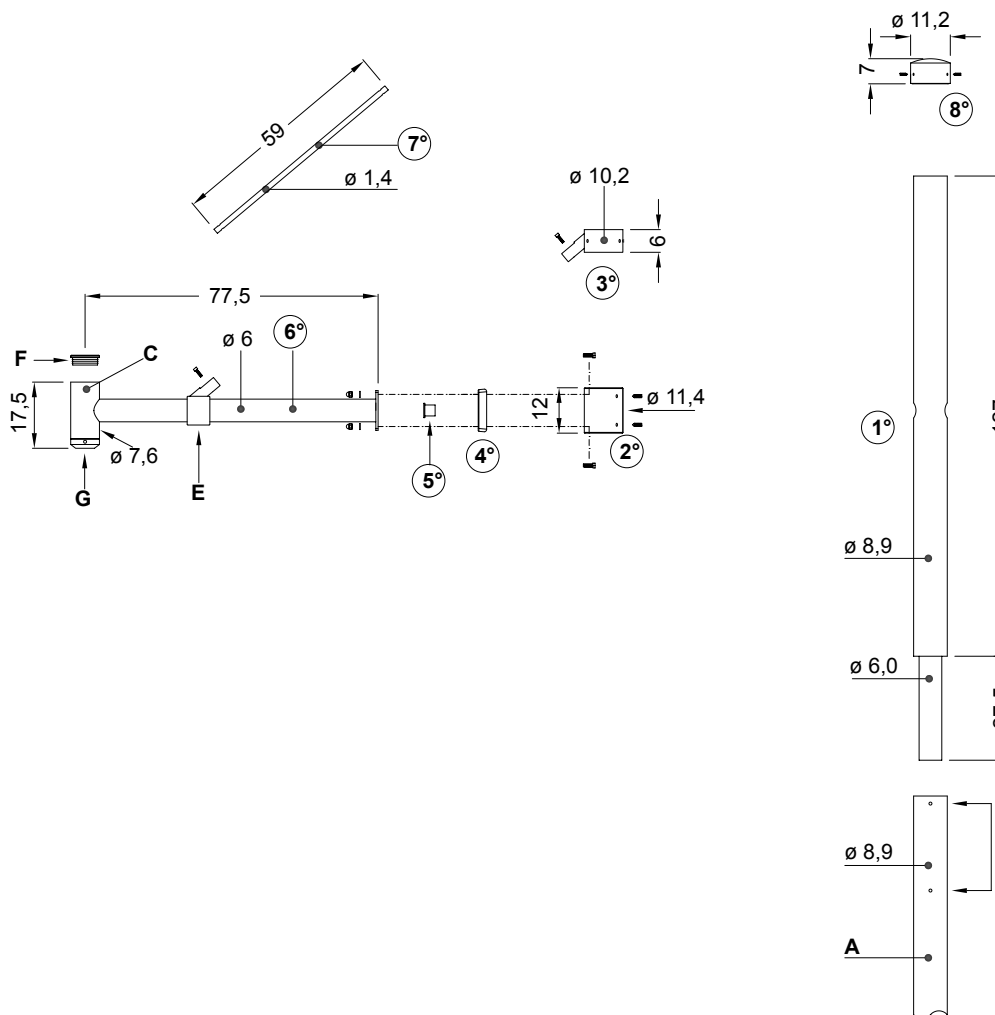
8°) A cap in cast iron, 7.0 cm high (11.2 cm diam.), fixed to the push rod (1°) with three M6 screws.

## Protection of surfaces

Please refer to the specification on painting procedures of the materials.

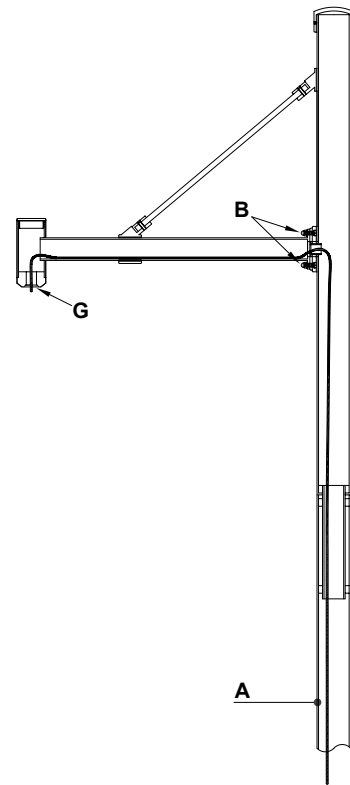
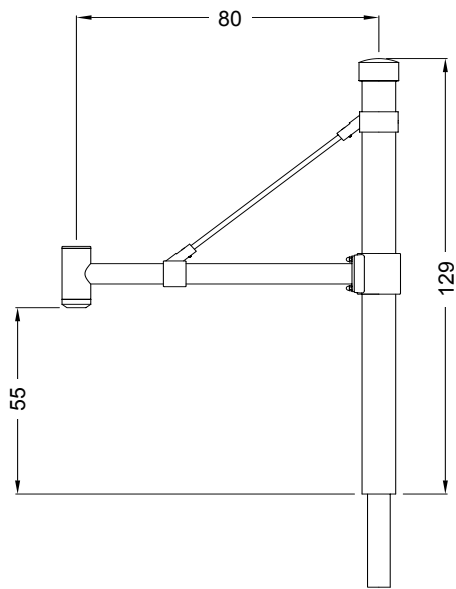
## Dimensions - Weight

Height 129 cm  
Width 80 cm  
Weight 21.8 Kg



**NB:** The measurements are in millimeters.

**Neri S.p.A. Property** - Any reproduction and use for its own purposes is forbidden.



**NB:** The measurements are in millimeters.

**Neri S.p.A. Property** - Any reproduction and use for its own purposes is forbidden.