

Use

Suitable support for one suspended light fixture

Materials

Made from S235J UNI EN 10219 and 10025 steel with hot-dip galvanized coating in accordance with UNI EN ISO 1461.

Protection of surfaces

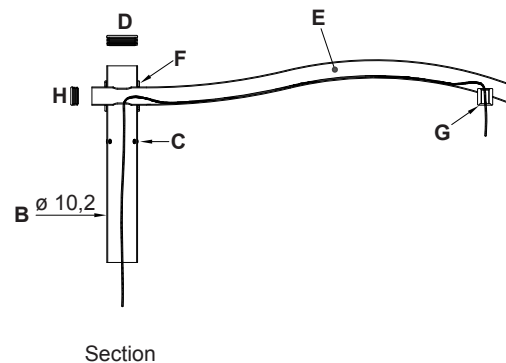
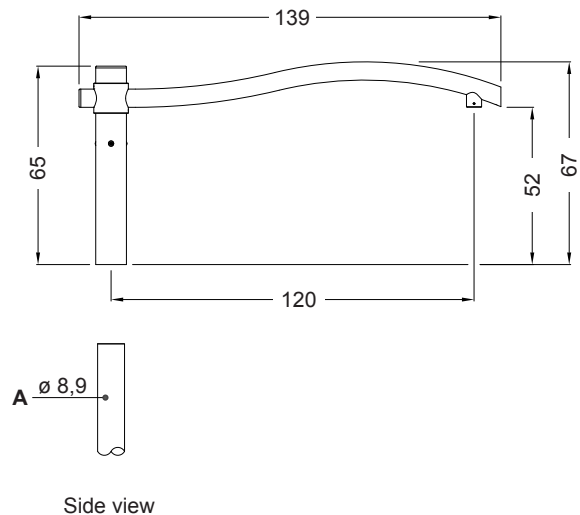
Please refer to the specific description of the product painting cycles

Dimensions and weight

Height 67 cm; width 139 cm; usable protrusion 120 cm
Weight 12.5 Kg.

Description

The top section is made up of the following elements:
support element, 65 cm in height, made from steel pipe (B) (diam. 10.2 cm) for attachment onto posts with 8.9 cm diameter (A), supplied with three stainless steel M10 screws for bolting the element to the post (C) and plastic end cap (D);
corrugated arm made from steel pipe (E - diam. 6 cm), welded to the vertical pipe for attachment onto the post (B) and the collar (F). It is provided of a plastic end cap (H) and a cylindrical element with a 3/4" GAS (G) coupling is welded to the end section of the arm for attachment of the light fixture.



NB: Measures in cm.

Property of NERI S.p.A. - Any use and reproduction for personal purposes is strictly prohibited.