

## Use

Suitable support for suspended light fixtures.

## Materials

Made in steel (S235J UNI EN 10219-1), hot dip galvanized in according to UNI EN ISO 1461.

## Description

The top section is made up of the following elements:

The top is composed as follows:

- 1°) A steel tube to insert on the post (A), composed of two tubes welded together having the following dimensions : diam . 8.9 x 86.5 cm - diam. 6.0 x 27.5 cm. Equipped with holes (diam. 4 cm) for the passage of the power cord. The fixing is obtained with six grains M10 in stainless steel, located at the top of the post (L).
- 2°) A lower support ring in galvanized steel , with four grains M8 in stainless steel, for fixing to the post (A).
- 3°) A upper support ring in hot galvanized steel, with a hole (diameter 3 cm ) for the passage of the power cable, equipped with four grains M8 in stainless steel for fixing to the element (1°)
- 4°) Four rectangular steel plates, to be interpose between the rings (2°- 3°) and the arm (6°).
- 5°) Two cable sleeve in plastic material, to be interpose between the arm and the upper plate (4°).
- 6°) Two arms in hot galvanized steel (77.5 cm long , 74 cm high), each consisting of a horizontal tube (diam. 6 cm); a tube (C) high 17,5 cm (diam. 7.6 cm) with an internal thread G3/4"(G) for fixing the luminaire, with the top cap of inspection (F) in plastic material; a lower tube curved (diam. 4.2 cm ) (H), fixed to the tube by means of two horizontal plates spaced. At the ends is closed by plugs (E) in plastic material.
- 7°) An end cap casting steel (high 7.0 cm- diam. 11.2 cm ) fixed to the tube (1°) with 3 grains M6 in stainless steel.

## Protection of surfaces

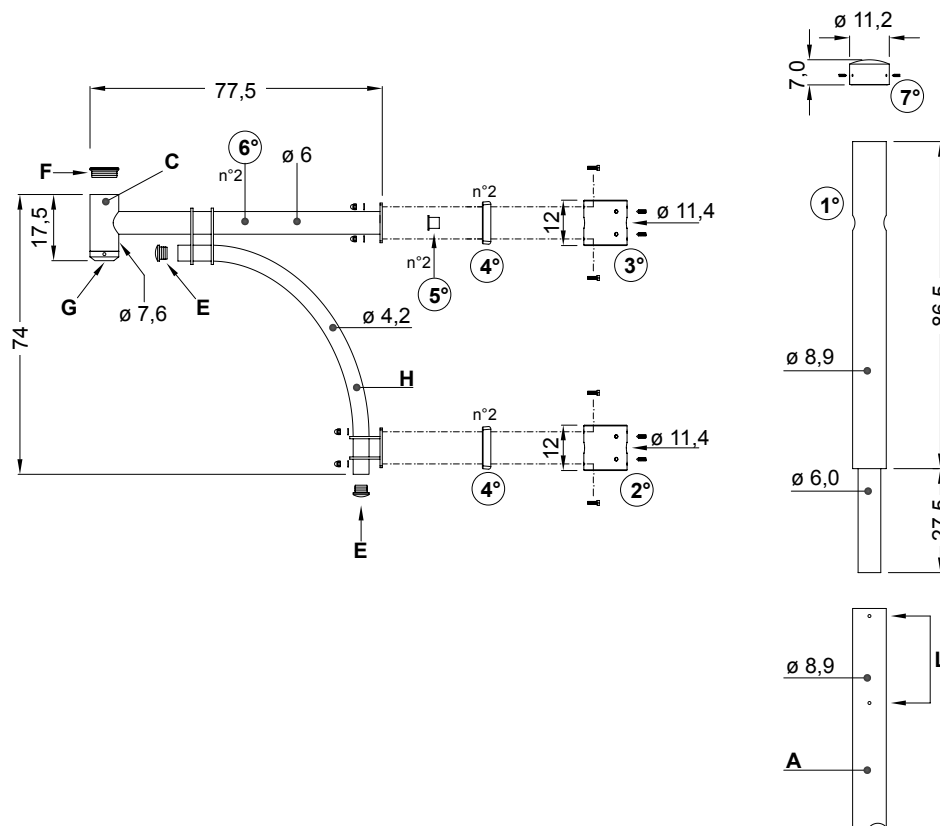
Please refer to the specification on painting procedures of the materials.

## Dimensions - Weight

Height 89 cm

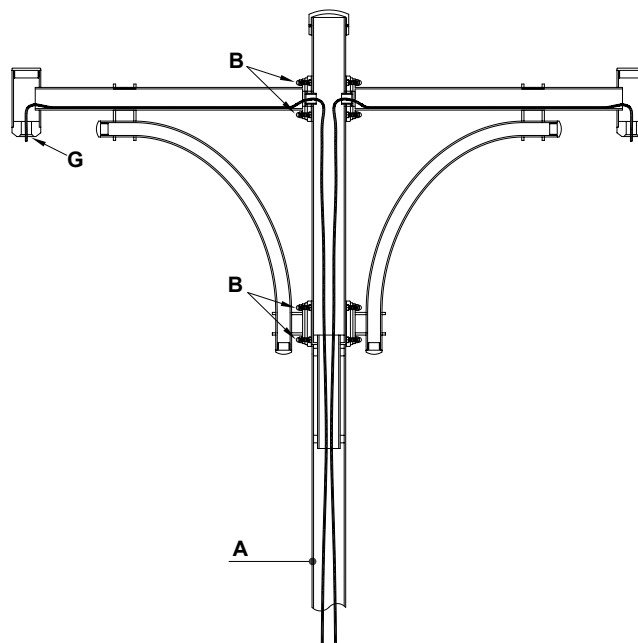
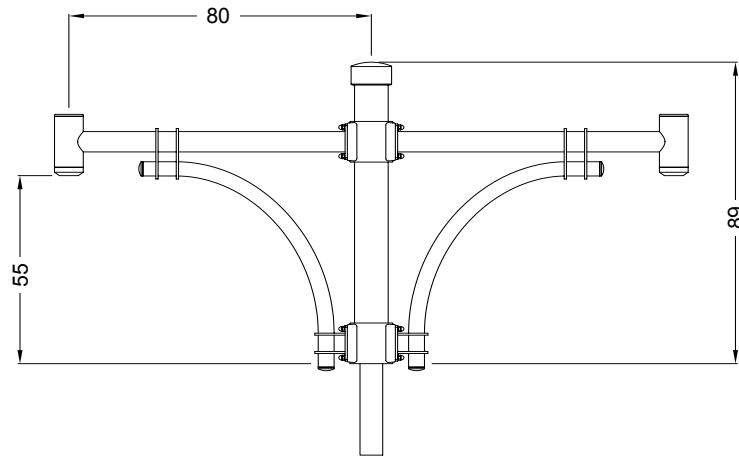
Width 80 cm

Weight 32.7 Kg



**NB:** The measurements are in millimeters.

**Neri S.p.A. Property** - Any reproduction and use for its own purposes is forbidden.



**NB:** The measurements are in millimeters.

**Neri S.p.A. Property** - Any reproduction and use for its own purposes is forbidden.