

Use

Suitable support for suspended light fixtures.

Materials

Made in UNI EN 1561 cast iron, UNI EN 1563 nodular cast iron and S235J UNI EN 10219-1 steel, hot dip galvanized according to UNI EN ISO 1461.

Screws in stainless steel.

Description

The top section is made up of the following elements:

- 1°) A hot-galvanized steel tube height 226.5 cm (Ø 6.0 cm) for the coupling on the posts with 10.2 cm of diameter; it is provided of a flange (A - Ø 7.5 cm) and holes (Ø 2.0 cm) for the passage of power supply cable (F).
- 2°) Cast iron junction cast in a single piece, height 11.5 cm.
- 3°) A ring in hot-galvanized steel for lower support of the suspension brackets. It is secured to the supporting tube (1°) with two M8 grubs.
- 4°) A ring in hot-galvanized steel for upper support of the suspension brackets. The ring has four holes (B - Ø 1.8 cm) for the passage of power supply cable. It is secured to the supporting tube (1°) with two M8 grubs.
- 5°) Three suspension brackets, each height 155 cm, with a protrusion of 93 cm. Structurally each bracket is composed of a tube in steel (Ø 4.2 cm), decorations in cast iron and support attachments (C) in spheroidal cast iron. The entire assembly is hot galvanized. The brackets are arranged at 120° to each other and fixed to the support rings 3°- 4° with four M8 screws. At the end of each suspension bracket there is a connection (D) in cast iron with internal thread G3/4" for attaching the light fixture. The power cables pass inside each suspension brackets (F).
The brackets are arranged at 120° to each other and fixed to the support rings 3°- 4° with four M8 screws. At the end of each suspension bracket there is a connection (D) in cast iron with internal thread G3/4" for attaching the light fixture. The power cables pass inside each suspension brackets (F).
- 6°) A terminal element in cast iron height 20 cm fixed onto element (1°) and is secured with a M8 screws (E).

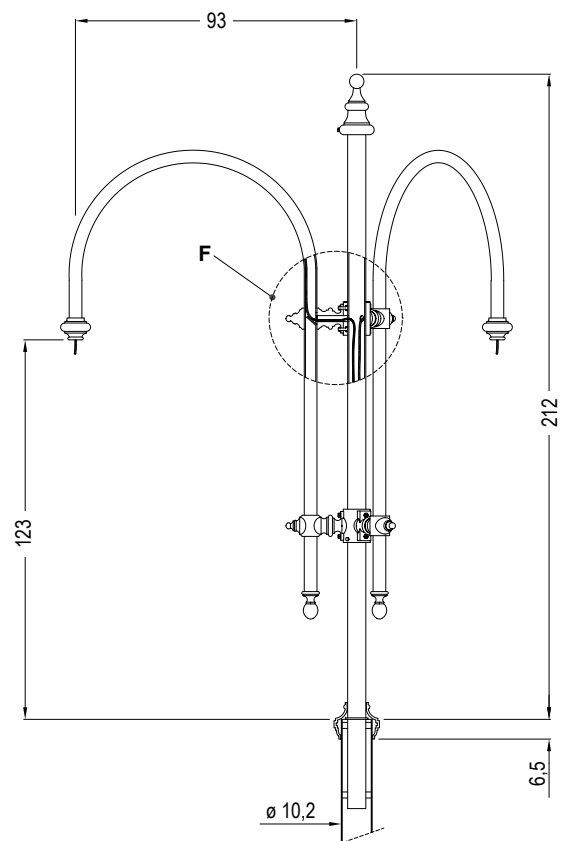
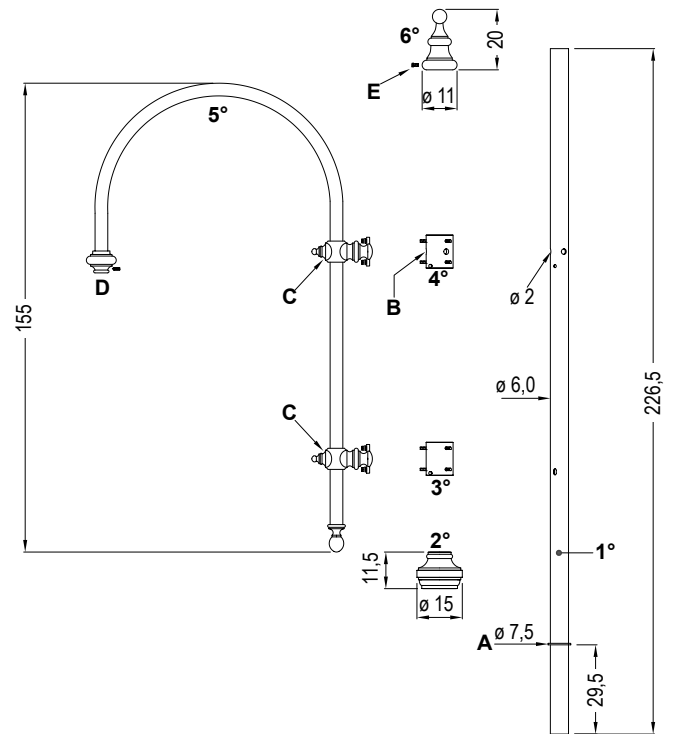
Dimensions and weight

Height 212 cm; width 93 cm.

Weight 64 kg.

Protection of surfaces

Please refer to the specification on painting procedures of the materials.



NB: The measurements are in millimeters.

Neri S.p.A. Property - Any reproduction and use for its own purposes is forbidden.