

Compliance

CE certificated post, compliant with standard UNI EN 40-5.



Description

Modular post in UNI EN 1561 cast iron with core in S235J UNI EN 10219-1 steel, hot-galvanized to UNI EN ISO 1461 standards, corresponding in shape, size and ornamentation to the diagrams, which are an integral part of the specifications.

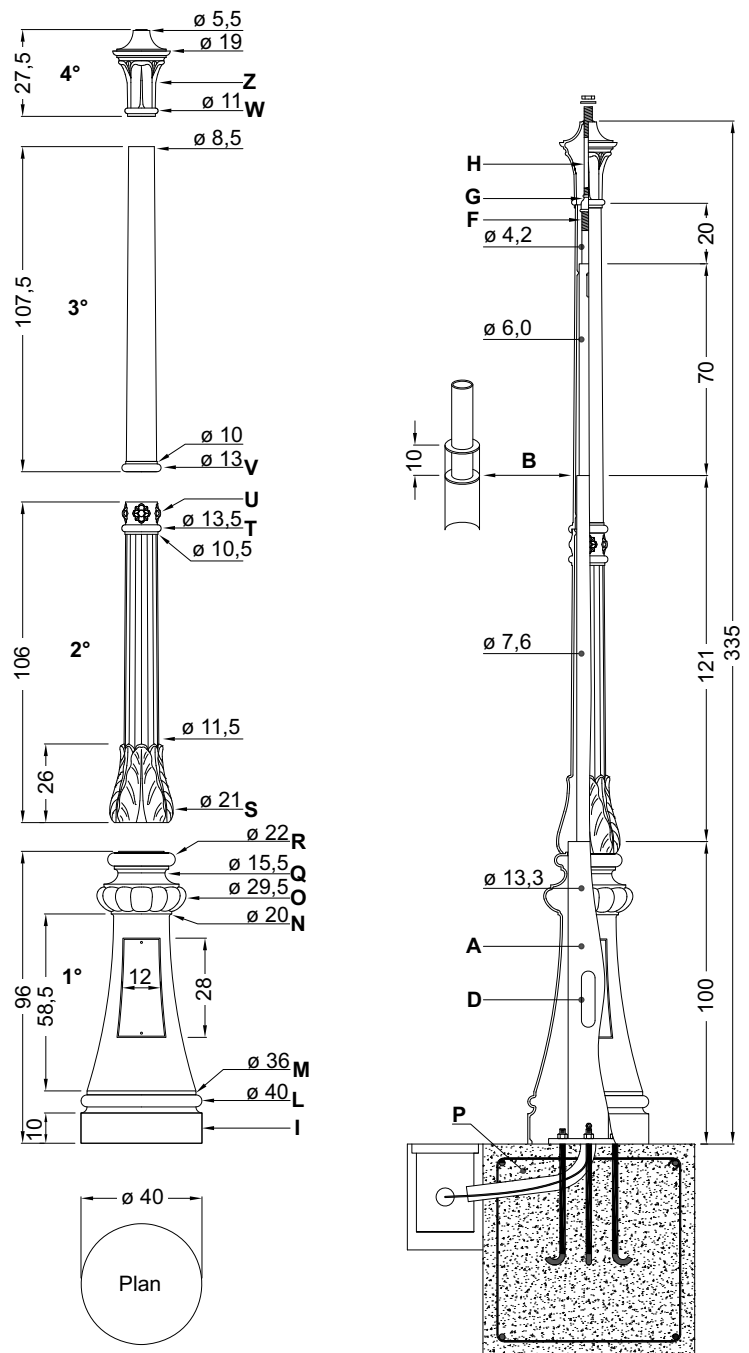
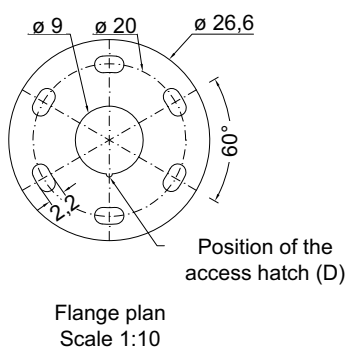
The core (A) is made up of four tubes of different cross-section, according to the internal diameter of the cast iron elements (diam. cm 13,3 x 100 - diam. 7,6 x 121 - diam. 6,0 x 70 - diam. 4,2 x 20), welded together at their junctions (B). The post is suitable for flange fixing (diam. cm 26,6 - thickness cm 1,8) on a foundation plinth (P). It is provided with an M10 earthing bolt, a slot (D - h. cm 18,6 x 4,5) for the installation of a class II insulation terminal board with or without fuse (Conchiglia), at the top a 1 1/4" GAS thread (F), with reduction (G - 1 1/4" GAS - 3/4" GAS) and a galvanized steel tube (H) with a 3/4" GAS thread used to secure with a bolt, the various cast iron elements and to attach the light fixture. The cast iron post is made up of a number of elements that are fitted over each other so as to prevent water infiltration. The elements are as follows:

- 1° Base element height 96 cm, with a circular plinth (I, diam. 40 cm, height 10 cm) surmounted by a torus (L, diam. 40 cm) and a tapered central section 58.5 cm high (M - lower diam. 36 cm, N - top diam. 20 cm) with an inspection hatch (12 x 28 cm). The top of the element is composed of a band (O, diam. 29.5 cm) decorated with sixteen ovoli and surmounted by a scotia (Q, diam. 15.5 cm) and a torus (R, diam. 22 cm).
- 2° Second element height 106 cm, decorated at the base for a height of 26 cm with four leaves (S, diam. 21 cm). The upper part of the element is tapered (lower diam. 11.5 cm, top diam. 10.5 cm), and is decorated with sixteen flutes, a torus (T, diam. 13.5 cm) and four rosettes (U).
- 3° Third element height 107.5 cm, tapered (lower diam. 10 cm, top diam. 8.5 cm) and decorated with a torus at the bottom (V, diam. 13 cm).
- 4° Fourth element height 27.5 cm, round and decorated at the bottom with a torus (W, diam. 11 cm) and four leaves (Z).

The above elements are all cast as single pieces. The total height of these first four elements is 335 cm.

Protection of surfaces

Please refer to the specification on painting procedures of the materials.



Exploded

Section

NOTE: The measurements are in centimetres.

Neri S.p.A. Property - Any reproduction and use for its own purposes is forbidden.