

### Compliance

CE certificated post, compliant with standard UNI EN 40-5.



### Description

Modular post in UNI EN 1561 cast iron with core in S235J UNI EN 10219-1 steel, hot-galvanized to UNI EN ISO 1461 standards, corresponding in shape, size and ornamentation to the diagrams, which are an integral part of the specifications.

The core (A) is made up of five tubes of different cross-sections, according to the internal diameter of the cast iron elements (diam. 13.3 x 170 cm - diam. 8.9 x 136 cm - diam. 7.6 x 90 cm - diam. 6.0 x 70 cm - diam. 4.2 x 20 cm), welded together at their junctions (B). The core must project perfectly vertically for a distance of 70 cm into a foundation plinth (P). It is provided with an M10 earthing bolt, a slot (D, height 18.6 x 4.5 cm) at the level of the inspection hatch in the base element in cast iron, suitable for the installation of a Class II insulation terminal board with or without fuse (Conchiglia), a slot (E - height 15.0 x 4.0 cm) set 35 cm below the paving level for leading cables into the core, and at the top a 1-1/4" thread (Z) used to secure the various cast iron elements by means of a nut. A heat-shrink sheath (C), minimum height 20 cm and made from composite materials (irradiated polyolefinic and butylic mastic), must be applied to the core to protect it from corrosion. The cast iron post is made up of a number of elements that are fitted over each other so as to prevent water infiltration. The elements are as follows:

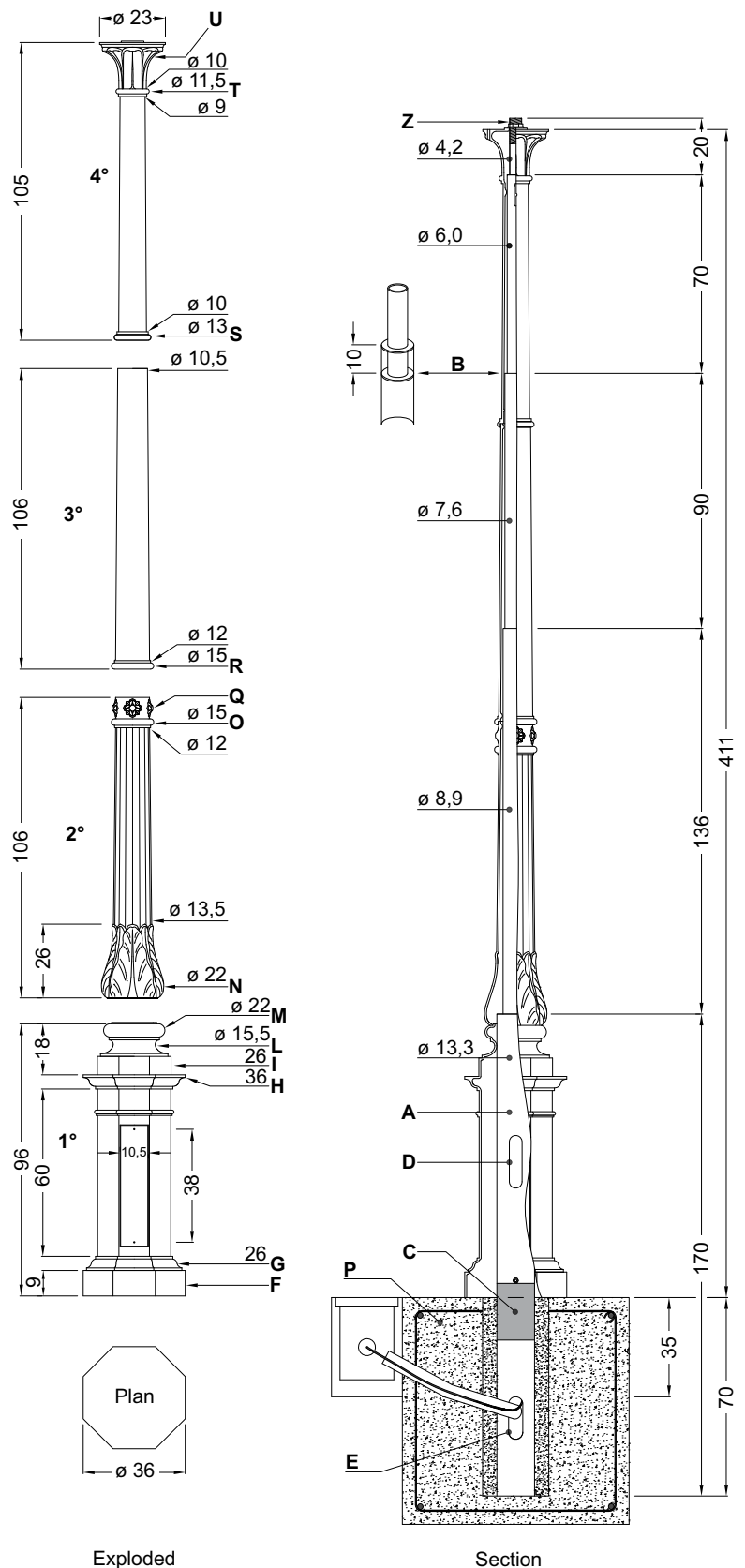
- 1°) Octagonal base element height 96 cm, with a plinth (F, distance between flats 36 cm, height 9 cm) surmounted by a cyma, a central section 60 cm high (G, distance between flats 26 cm) with an inspection hatch (10.5 x 38 cm). The top of the element is composed of a cymatium (H, distance between flats 36 cm) surmounted by an octagonal section (I, distance between flats 26 cm), a scotia (L, diam. 15.5 cm) and a torus (M, diam. 22 cm).
- 2°) Second element height 106 cm, decorated at the base for a height of 26 cm with four leaves (N, diam. 22 cm). The upper part of the element is tapered (lower diam. 13.5 cm, top diam. 12 cm), and is decorated with sixteen flutes, a torus (O, diam. 15 cm) and four rosettes (Q).
- 3°) Third element height 106 cm, tapered (lower diam. 12 cm, top diam. 10.5 cm) and decorated with a torus at the bottom (R, diam. 15 cm).
- 4°) Fourth element height 105 cm, composed of a lower tapered section (lower diam. 10 cm, top diam. 9 cm) decorated with a torus at each end (S - diam. 13 cm, T - diam. 11.5 cm). The top section is in the form of a capital (lower diam. 10 cm, top diam. 23 cm) decorated with four leaves (U).

The above elements are all cast as single pieces.

The total height of these first four elements is 411 cm.

### Protection of surfaces

Please refer to the specification on painting procedures of the materials.



Exploded

Section

**NOTE:** The measurements are in centimetres.

**Neri S.p.A. Property** - Any reproduction and use for its own purposes is forbidden.