

DESCRIPTION

Dimensions - Area exposed to wind pressure - Weight

Height	Width	Length	Diameter	Area exposed to wind (S)	Weight ^(A)	Weight ^(B)
345mm			550 mm	0.04 m ²	10.8 Kg	8.8 Kg

^(A) Max weight of light fixture with electromagnetic wiring.

^(B) Max weight of light fixture with electronic wiring.

Electrical characteristics (electromagnetic wiring)

Voltage	Frequency	IP	Insulation class		Cos Φ	Oper. Temp. °C
230V	50Hz	66	CL II	CL I \pm (on request)	> 0.9	-30... +40

Electrical characteristics (electronic wiring)

Voltage	Frequency	IP	Insulation class		Cos Φ	Oper. Temp. °C
208-277V	50/60Hz	66	CL II	CL I \pm (on request)	> 0.9	-30... +50

Conformity

CE	2014/35/UE (LVD)	2014/30/UE (EMC)	2011/65/UE (RoHS)	(ErP)
----	---------------------	---------------------	----------------------	-------

Mounting system

- Suitable for suspended mounting.
- Connection with threaded tube male G 3/4" with cable gland (PG16) inside.

Materials

- Sheet in aluminum.
- Die-cast aluminum (UNI EN 1706).
- Hot galvanized steel tube (UNI EN ISO 1461) and galvanized steel sheet.
- Tempered transparent flat glass screen.
- Screws in stainless steel and brass.

Structure - Main components

- Upper frame composed by a bell in die-cast aluminum and a visor in sheet aluminum, equipped with a threaded tube G3/4" for mounting to the support arm, and two small knobs for opening the lower frame.
- Lower tilting frame for access to optical and wiring compartment, composed by a circular element in die-cast aluminum for the support of the reflector and screen.
- Wiring plate in galvanized steel sheet, easily removable.
- Neoprene gasket between upper and lower frame.
- Screen in tempered transparent flat glass. Shock resistance IK08.

Optics

- Reflector mod. 1 - street lighting - Installation on the side of street.
- Reflector mod. 9 - pedestrian-cycle path and mixed areas lighting. Installation on the side of street.

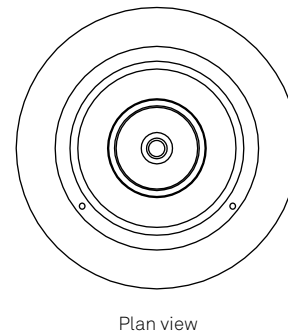
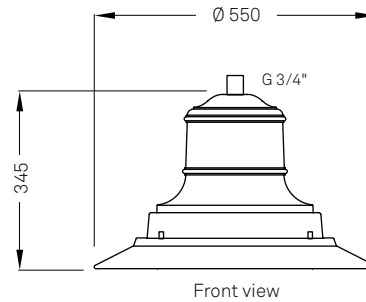
Operations and maintenance

- To opening the light fixture and access to wiring and optic compartment, loosen the two small knobs on cover and rotate the lower frame.
- To replace the lamp, rotate the support of lampholder on the reflector and pull out.
- During maintenance operations, no part or component is detached from the structure.
- During installation, follow the instructions for the correct optic orientation on the support.
- Periodic maintenance (about once a year) for external cleaning of the structure and screen from dust and smog, and the control of fastening of all screws, must be performed with light fixture switched off and cold.

Painting

- Standard color is metalized matt dark gray, type Neri.
- The ring for support of reflector and screen is white color.
- Other colours of RAL range on request.
- Information about paint steps used on this product in specific technical sheet.

DRAWINGS AND TECHNICAL INFORMATIONS



Example with screen frosted finish

Code construction

To configure the complete code of luminaire, add in sequence after **Serie** code, the others parts of code: Ballast-screen (**SSS**) + Optic (**X**) + Lamp predisposition (**YY**) + Wiring type (**ZZ**). See configurations tables on the following page.

CONFIGURATION WITH ELECTROMAGNETIC WIRINGS

Screens

Cod. SSS	Light fixture series	Materials	Finiture	Shock R.
A21	213	Tempered glass	Transparent	IK08

Optics

Cod. X	Type	Lighting classes	Classe IES
1	mod.1 - Fixed	Street lighting.	Full cut-off
9	mod.9 - Fixed	Cycle-pedestrian - mixed area lighting	Full cut-off

- Reflector in sheet aluminum, polished and oxidized.
(thickness 1 mm, purity 99.90%).

- Lampholder regulable for a optimal positioning of lamp.
- Height of installation: from 3.5 to 5.5 meters.

Wirings (Predisposition for lamps with optical and socket)

Cod. YY	Lamps predisposition	W	Optics	Sockets
32	(MT) Metal halide - (ST) Sodium H.P.	70	1 9	E27
33	(MT) Metal halide - (ST) Sodium H.P.	100	1 9	E40
35	(MT) Metal halide - (ST) Sodium H.P.	150	1 9	E40

- Electromagnetic ballast with high efficiency (CELMA class EEI=A3), with thermal protection.

- Electronic ignitor (pulses until to 4.5 KV).

- Power factor correction capacitor.

- Ceramic lamp holders in relation to the type of lamp.

- Electric components on wiring plate easily removable.

Wirings (Characteristics)

Cod. ZZ	Details
14	Insulation class CL II - Fuse 250V-T6.3A (5 x 20 mm)

Note

- Use lamps with efficiency \geq di 90 lm/W.

- The lamps are not included in the wiring.

- On request can be realized other wiring configurations.

CONFIGURATION WITH ELECTRONIC WIRINGS

Screens

Cod. SSS	Light fixture series	Materials	Finiture	Shock R.
E21	213	Tempered glass	Transparent	IK08

Optics

Cod. X	Type	Lighting classes	Classe IES
1	mod.1 - Fixed	Street lighting.	Full cut-off
9	mod.9 - Fixed	Cycle-pedestrian - mixed area lighting	Full cut-off

- Reflector in sheet aluminum, polished and oxidized.

(thickness 1 mm, purity 99.90%).

- Lampholder regulable for a optimal positioning of lamp.

- Height of installation: from 3.5 to 5.5 meters.

Wirings (Predisposition for lamps with optical and socket)

Cod. YY	Lamps predisposition	W	Optics	Sockets
C4	CPO-TT (Philips)	60	1 9	E27
C5	CPO-TT (Philips)	90	1 9	E40
C6	CPO-TT (Philips)	140	1 9	E40
D4	(ST) Sodium H.P.	70	1 9	E27
D5	(ST) Sodium H.P.	100	1 9	E40
D6	(ST) Sodium H.P.	150	1 9	E40

- Programmable electronic ballast with auto self diagnostics functions, protected against short circuit, over-temperature and over-voltages up to 10 kV (EN61547).

- Estimated life B10 a 80.000 h.

- Ceramic lamp holders in relation to the type of lamp.

- Electric components on wiring plate easily removable.

Function of electronic ballast

Cod. ZZ	Details
06	DALI - NCL (Neri Costant lumen)
13	NVL6H (automatic control integrated for lighting flux reduction) - 30% for 6 hours

Note

- Use lamps with efficiency \geq di 90 lm/W.

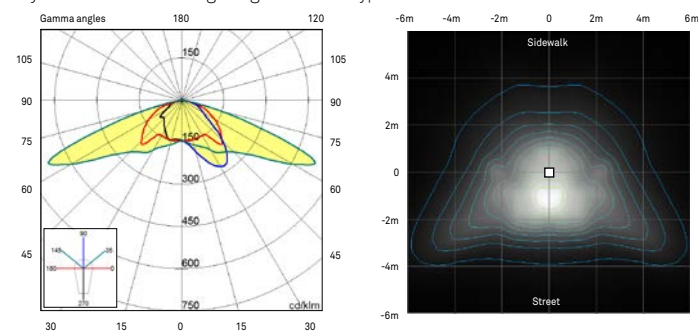
- The lamps are not included in the wiring.

- On request can be realized other wiring configurations.

PHOTOMETRY OF REFERENCE

Reflector mod. 1 - Transparent screen.

Asymmetric for street lighting - Cut off - Type III



Reflector mod. 9 - Transparent screen.

Asymmetric for cycle-pedestrian and mixed area lighting - Cut off - Type II Short

