

DESCRIPTION

Dimensions - Area exposed to wind pressure - Weight

| Height | Width | Length | Diameter | Area exposed to wind (S) | Weight ^(A) | Weight ^(B) |
|--------|-------|--------|----------|--------------------------|-----------------------|-----------------------|
| 650 mm | | | 700 mm | 0.190 m ² | 11.5 Kg | 9.5 Kg |

^(A) Max weight of light fixture with electromagnetic wiring.

^(B) Max weight of light fixture with electronic wiring.


Electrical characteristics (electromagnetic wiring)

| Voltage | Frequency | IP | Insulation class | Cos Φ | Oper. Temp. °C |
|---------|-----------|----|---|------------|----------------|
| 230V | 50Hz | 66 | CL II \square CL I \perp (on request) | > 0.9 | -30... +40 |

Electrical characteristics (electronic wiring)

| Voltage | Frequency | IP | Insulation class | Cos Φ | Oper. Temp. °C |
|----------|-----------|----|---|------------|----------------|
| 208-277V | 50/60Hz | 66 | CL II \square CL I \perp (on request) | > 0.9 | -30... +50 |

Conformity

| | | | | |
|---|---------------------|---------------------|----------------------|-------|
|  | 2014/35/UE (LVD) | 2014/30/UE (EMC) | 2011/65/UE (RoHS) | (ErP) |
|---|---------------------|---------------------|----------------------|-------|

Mounting system

- Threaded tube G3/4" male in galvanized steel, with inside cable gland PG16.
- Suitable only for suspended mounting.

Materials

- Die-cast and sheet aluminum (UNI EN 1706).
- Acrylic (PMMA).
- Screws in stainless steel and brass.

Structure - Main components

- Upper frame composed by an element with bell shape in die-cast aluminum with a visor in aluminum sheet, equipped with threaded tube G3/4" male in galvanized steel for mounting to the support.
- Lower tilting frame with circular shape in die-cast aluminum, for access to the auxiliary and optical compartment, composed of a ring with support function for the screen, the optical system.
- Wiring plate in sheet aluminum, easily removable.
- Neoprene gasket between frames.
- Screen drop shaped in acrylic (PMMA) transparent or frosted.
- Shock resistance: IK06.

Optics

- Reflector mod. 5 - Street lighting. - Installation on the side of street.
- Reflector mod. 7 - Cycle-pedestrian / center street lighting.

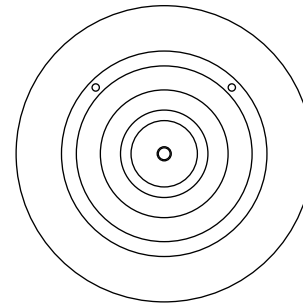
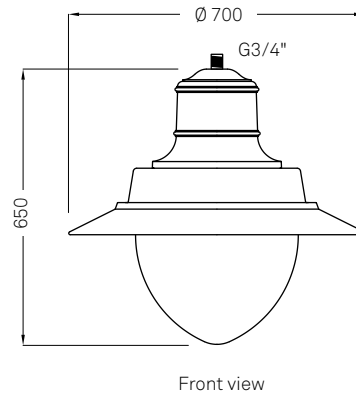
Operations and maintenance

- To open the light fixture and to access to the wiring and optic compartment, unscrews two knobs and rotate the lower frame.
- Electric auxiliaries individually replaceable.
- During maintenance operations, no part or component is detached from the structure.
- During installation, follow the instructions for the correct optic orientation on the support.
- Periodic maintenance (about once a year) for external cleaning of the structure and screen from dust and smog, and the control of fastening of all screws, must be performed with light fixture switched off and cold.

Painting

- Standard color is metalized matt dark gray, type Neri.
- The ring for support of reflector and screen is white color.
- Other colours of RAL range on request.
- Information about paint steps used on this product in specific technical sheet.

DRAWINGS AND TECHNICAL INFORMATIONS



Code construction

To configure the complete code of luminaire, add in sequence after **Serie** code, the others parts of code: Ballast-screen (**SSS**) + Optic (**X**) + Lamp predisposition (**YY**) + Wiring type (**ZZ**). See configurations tables on the following page.

CONFIGURATION WITH ELECTROMAGNETIC WIRINGS

Screens

| Cod. SSS | Light fixture series | Materials | Finiture | Shock R. |
|----------|---------------------------|------------------------|-------------|----------|
| A21 | 223 | Transparent flat glass | Transparent | IK08 |
| A09 | 220-221-222 | Acrylic(PMMA) | Frosted | IK06 |
| A11 | 220-221-222 | Acrylic (PMMA) | Transparent | IK06 |
| A41 | 221 (only with wiring 36) | Polycarbonate o (PC) | Transparent | IK10 |
| A42 | 221 (only with wiring 36) | Polycarbonate (PC) | Frosted | IK10 |

Optics

| Cod. X | Type | Lighting classes | Classe IES |
|--------|----------------|---|--------------|
| 5 | mod. 5 - fixed | Street lighting. | Full cut-off |
| 7 | mod. 7 - fixed | Cycle-pedestrian / center street lighting | Full cut-off |

- Reflector mod. 5 and 7 in pressed aluminum sheet, polished and oxidized (thickness 1 mm - purity 99.90%).
- Lampholder regulable for a optimal positioning of lamp.
- Height of installation: from 5.0 to 9.5 meters.

Wirings (Predisposition for lamps with optical and socket)

| Cod. YY | Lamps predisposition | W | Optics | Sockets |
|---------|--------------------------------------|-----|--------|---------|
| 32 | (MT) Metal halide - (ST) Sodium H.P. | 70 | 5 7 | E27 |
| 33 | (MT) Metal halide - (ST) Sodium H.P. | 100 | 5 7 | E40 |
| 35 | (MT) Metal halide - (ST) Sodium H.P. | 150 | 5 7 | E40 |
| 36 | (MT) Metal halide - (ST) Sodium H.P. | 250 | 5 7 | E40 |

- Electromagnetic ballast with high efficiency (CELMA class EEI=A3), with thermal protection.
- Electronic ignitor (pulses until to 4.5 KV).
- Power factor correction capacitor.
- Ceramic lamp holders in relation to the type of lamp.
- Electric components on wiring plate easily removable with plug-in connections.
- Automatic disconnecter when extracting the wiring plate.
- Terminal board for cables with max section of 2,5 mm².

Wirings (Characteristics)

| Cod. ZZ | Details |
|---------|---|
| 14 | Insulation class CL II  - Fuse 400V-6.0A gG (8.5 x 31.5 mm) - Disconnecter |

Note

- Use lamps with efficiency \geq di 90 lm/W. The lamps are not included in the wiring.
- On request can be realized other wiring configurations.

CONFIGURATION WITH ELECTRONIC WIRINGS

Screens

| Cod. SSS | Light fixture series | Materials | Finiture | Shock R. |
|----------|----------------------|---------------------|-------------|----------|
| E21 | 223 | Tempered flat glass | Transparent | IK08 |
| E09 | 220-221-222 | Acrylic (PMMA) | Frosted | IK06 |
| E11 | 220-221-222 | Acrylic (PMMA) | Transparent | IK06 |

Optics

| Cod. X | Type | Lighting classes | Classe IES |
|--------|----------------|---|--------------|
| 5 | mod. 5 - fixed | Street lighting. | Full cut-off |
| 7 | mod. 7 - fixed | Cycle-pedestrian / center street lighting | Full cut-off |

- Reflector mod. 5 and 7 in pressed aluminum sheet, polished and oxidized (thickness 1 mm - purity 99.90%).
- Lampholder regulable for a optimal positioning of lamp.
- Height of installation: from 5.0 to 9.5 meters.

Wirings (Predisposition for lamps with optical and socket)

| Cod. YY | Lamps predisposition | W | Optics | Sockets |
|---------|----------------------|-----|--------|---------|
| C5 | CPO-TT (Philips) | 90 | 5 7 | E40 |
| C6 | CPO-TT (Philips) | 140 | 5 7 | E40 |
| D5 | (ST) Sodium H.P. | 100 | 5 7 | E40 |
| D6 | (ST) Sodium H.P. | 150 | 5 7 | E40 |

- Programmable electronic ballast with auto self diagnostics functions, protected against short circuit, over-temperature and over-voltages up to 10 kV (EN61547).
- Estimated life B10 a 80.000 h.
- Ceramic lamp holders in relation to the type of lamp.
- Electric components on wiring plate easily removable with plug-in connections.
- Automatic disconnecter when extracting the wiring plate.
- Terminal board for cables with max section of 2,5 mm².

Function of electronic ballast

| Cod. ZZ | Details |
|---------|--|
| 06 | DALI - NCL (Neri Costant lumen) |
| 13 | NVL6H (automatic control integrated for lighting flux reduction) - 30% for 6 hours |

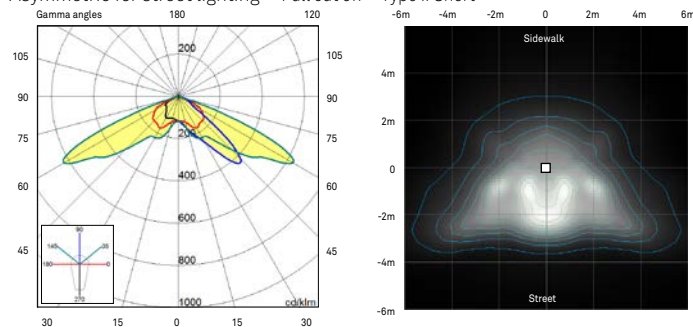
Note

- Use lamps with efficiency \geq di 90 lm/W. The lamps are not included in the wiring.
- On request can be realized other wiring configurations.

PHOTOMETRY OF REFERENCE

Reflector mod. 5 - Transparent flat screen.

Asymmetric for street lighting - Full cut off - Type II Short



Reflector mod. 7 - Transparent flat screen.

Asymmetric for street centre lighting or cyclepath lighting - Full cut off - Type I Short.

