

## DESCRIPTION

### Dimensions - Area exposed to wind pressure - Weight

| Height | Width | Length | Diameter | Area exposed to wind (S) | Weight <sup>(A)</sup> | Weight <sup>(B)</sup> |
|--------|-------|--------|----------|--------------------------|-----------------------|-----------------------|
| 700 mm |       |        | 530 mm   | 0.230 m <sup>2</sup>     | 12.0 Kg               | 10.0 Kg               |

<sup>(A)</sup> Max weight of light fixture with electromagnetic wiring.

<sup>(B)</sup> Max weight of light fixture with electronic wiring.

### Electrical characteristics (electromagnetic wiring)

| Voltage | Frequency | IP | Insulation class |                         | Cos $\Phi$ | Oper. Temp. °C |
|---------|-----------|----|------------------|-------------------------|------------|----------------|
| 230V    | 50Hz      | 66 | CL II            | CL I $\pm$ (on request) | > 0.9      | -30... +40     |

### Electrical characteristics (electronic wiring)

| Voltage  | Frequency | IP | Insulation class |                         | Cos $\Phi$ | Oper. Temp. °C |
|----------|-----------|----|------------------|-------------------------|------------|----------------|
| 208-277V | 50/60Hz   | 66 | CL II            | CL I $\pm$ (on request) | > 0.9      | -30... +50     |

### Conformity

|  |                     |                     |                      |       |
|--|---------------------|---------------------|----------------------|-------|
|  | 2014/35/UE<br>(LVD) | 2014/30/UE<br>(EMC) | 2011/65/UE<br>(RoHS) | (ErP) |
|--|---------------------|---------------------|----------------------|-------|

### Mounting system

- Threaded tube G3/4" male in brass, with quick locking system.
- Suitable only for suspended mounting.

### Materials

- Die-cast and sheet aluminum (UNI EN 1706).
- Brass.
- Acrylic (PMMA).
- Screws in stainless steel and brass.

### Structure - Main components

- Upper frame with circular shape in die-cast and sheet aluminum with quick locking system, composed by a threaded tube G3/4" male in brass, with inside cable gland.
- Lower tilting frame with circular shape in die-cast aluminum, for access to the auxiliary and optical compartment, composed of a ring with support function for the screen, the optical system and the control gear.
- Wiring plate in sheet aluminum, easily removable.
- Silicone gasket between frames.
- Screens drop shaped in acrylic (PMMA), transparent or frosted.
- Shock resistance: IK06.

### Optics

- Reflector mod. 5 regulable ( $\pm 12,5^\circ$ ) - street lighting .
- Reflector mod. 7 regulable ( $+ 12,5^\circ$ ) - street lighting and mixed areas.
- Installation on the side of street.

### Accessories

- Outdistanced decorative ring, in sheet aluminum ( $\varnothing 750$  mm), code 0006.082
- Adherent decorative ring, in sheet aluminum ( $\varnothing 750$  mm), code 0006.083

### Operations and maintenance

- To open the light fixture and to access to the wiring and optic compartment, simply push the two clips springs and rotate the lower frame.
- Automatic disconnecter when opening the light fixture.
- Electric auxiliaries individually replaceable.
- During maintenance operations, no part or component is detached from the structure.
- During installation, follow the instructions for the correct optic orientation on the support.
- Periodic maintenance (about once a year) for external cleaning of the structure and screen from dust and smog, and the control of fastening of all screws, must be performed with light fixture switched off and cold.

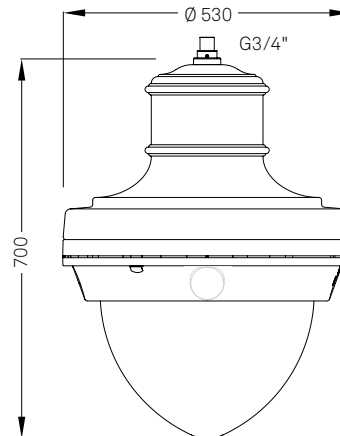
### Painting

- Standard color is metalized matt dark gray, type Neri.
- Other colours of RAL range on request.
- Information about paint steps used on this product in specific technical sheet.

### Code construction

To configure the complete code of luminaire, add in sequence after **Serie** code, the others parts of code: Ballast-screen (**SSS**) + Optic (**X**) + Lamp predisposition (**YY**) + Wiring type (**ZZ**). See configurations tables on the following page.

## DRAWINGS AND TECHNICAL INFORMATIONS



Front view



### DECORATIVE ACCESSORIES



Distanced decorative ring - cod. 0006.082  
Weight Kg 0.8



Adherent decorative ring - cod. 0006.083  
Weight Kg 1.0

## CONFIGURATION WITH ELECTROMAGNETIC WIRINGS

### Screens

| Cod. SSS | Light fixture series                     | Materials              | Finiture     | Shock R. |
|----------|--|------------------------|--------------|----------|
| A21      | 233-243-343-373                          | Transparent flat glass | Transparent  | IK08     |
| A09      | 230-231-232-241-341-371                  | Acrylic(PMMA)          | Frosted      | IK06     |
| A11      | 230-231-232-241-341-371                  | Acrylic (PMMA)         | Transparent  | IK06     |
| A41      | 231-241-341-371<br>(only with wiring 36) | Polycarbonate o (PC)   | Transparente | IK10     |
| A42      | 231-241-341-371<br>(only with wiring 36) | Polycarbonate (PC)     | Frosted      | IK10     |

### Optics

| Cod. X | Type                              | Lighting classes                 | Classe IES   |
|--------|-----------------------------------|----------------------------------|--------------|
| 5      | mod.5 - reg. ( $\pm 12,5^\circ$ ) | Street lighting.                 | Full cut-off |
| 7      | mod.7 - reg. ( $+ 12,5^\circ$ )   | Street and mixed areas lighting. | Full cut-off |

- Reflector mod. 5 and 7 regulable, in pressed aluminum sheet, polished and oxidized (thickness 1 mm - purity 99.90%).
- Lampholder regulable for a optimal positioning of lamp.
- Height of installation: from 5.0 to 9.5 meters.

### Wirings (Predisposition for lamps with optical and socket)

| Cod. YY | Lamps predisposition                 | W   | Optics | Sockets |
|---------|--------------------------------------|-----|--------|---------|
| 32      | (MT) Metal halide - (ST) Sodium H.P. | 70  | 5 7    | E27     |
| 33      | (MT) Metal halide - (ST) Sodium H.P. | 100 | 5 7    | E40     |
| 35      | (MT) Metal halide - (ST) Sodium H.P. | 150 | 5 7    | E40     |
| 36      | (MT) Metal halide - (ST) Sodium H.P. | 250 | 5 7    | E40     |

- Electromagnetic ballast with high efficiency (CELMA class EEI=A3), with thermal protection .
- Electronic ignitor (pulses until to 4.5 KV).
- Power factor correction capacitor.
- Ceramic lamp holders in relation to the type of lamp.
- Electric components on wiring plate easily removable with plug-in connections.
- Automatic disconnector when opening.
- Terminal board for cables with max section of 2,5 mm<sup>2</sup>.

### Wirings (Characteristics)

| Cod. ZZ | Details  |
|---------|--|
| 19      | Insulation class CL II $\square$ - Fuse 400V-6.0A gG (8.5 x 31.5 mm) - Aut. disconnector |

### Note

- Use lamps with efficiency  $\geq$  di 90 lm/W. The lamps are not included in the wiring.
- On request can be realized other wiring configurations.

## CONFIGURATION WITH ELECTRONIC WIRINGS

### Screens

| Cod. SSS | Light fixture series    | Materials           | Finiture    | Shock R. |
|----------|-------------------------|---------------------|-------------|----------|
| E21      | 233-243-343-373         | Tempered flat glass | Transparent | IK08     |
| E09      | 230-231-232-241-341-371 | Acrylic (PMMA)      | Frosted     | IK06     |
| E11      | 230-231-232-241-341-371 | Acrylic (PMMA)      | Transparent | IK06     |

### Optics

| Cod. X | Type                              | Lighting classes                              | Classe IES   |
|--------|-----------------------------------|---|--------------|
| 5      | mod.5 - reg. ( $\pm 12,5^\circ$ ) | Street lighting.                              | Full cut-off |
| 7      | mod.7 - reg. ( $+ 12,5^\circ$ )   | Street and mixed areas lighting.              | Full cut-off |
| B      | mod. B - fixed                    | Mixed areas lighting - strong deep light beam | Semi cut-off |

- Reflector mod. 5 and 7 regulable in pressed aluminum sheet, polished and oxidized (thickness 1 mm - purity 99.90%).
- Reflector mod. B, assembled with parts in aluminum sheet polished and oxidized.
- Lampholder regulable for a optimal positioning of lamp.
- Height of installation: from 5.0 to 9.5 meters.

### Wirings (Predisposition for lamps with optical and socket)

| Cod. YY | Lamps predisposition | W   | Optics | Sockets     |
|---------|----------------------|-----|--------|-------------|
| C5      | CPO-TT (Philips)     | 90  | 5 7 B  | E40 - PGZ12 |
| C6      | CPO-TT (Philips)     | 140 | 5 7 B  | E40 - PGZ12 |
| C7      | CPO-TT (Philips)     | 210 | 5 7 B  | PGZ18       |
| D5      | (ST) Sodium H.P.     | 100 | 5 7    | E40         |
| D6      | (ST) Sodium H.P.     | 150 | 5 7    | E40         |

- Programmable electronic ballast with auto self diagnostics functions, protected against short circuit, over-temperature and over-voltages up to 10 kV (EN61547).
- Estimated life B10 a 80.000 h.
- Ceramic lamp holders in relation to the type of lamp.
- Electric components on wiring plate easily removable with plug-in connections.
- Automatic disconnector when opening.
- Terminal board for cables with max section of 2,5 mm<sup>2</sup>.

### Function of electronic ballast

| Cod. ZZ | Details  |
|---------|--|
| 06      | DALI - NCL (Neri Costant lumen)  |
| 13      | NVL6H (automatic control integrated for lighting flux reduction) - 30% for 6 hours |

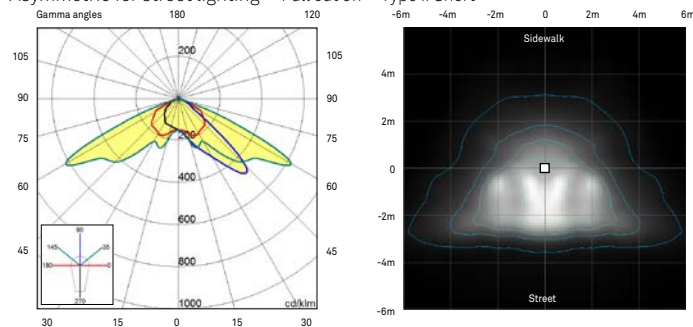
### Note

- Use lamps with efficiency  $\geq$  di 90 lm/W. The lamps are not included in the wiring.
- \* Reflector mod. B, only with screen cod. E21, for models: 343 e 373.
- On request can be realized other wiring configurations.

## PHOTOMETRY OF REFERENCE

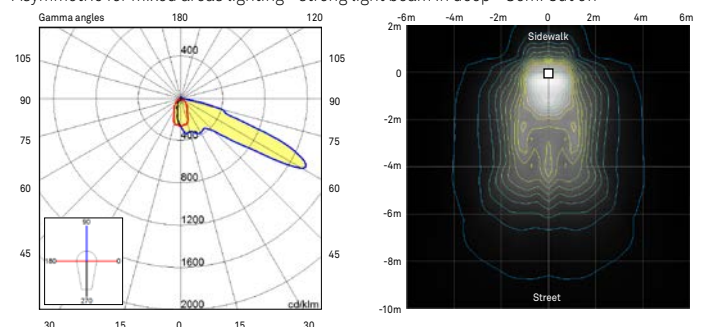
### Reflector mod. 5 regulable (pos. 0°) - Transparent flat screen.

Asymmetric for street lighting - Full cut off - Type II Short



### Reflector mod. B - - Transparent flat screen (only for series 343 and 373).

Asymmetric for mixed areas lighting - strong light beam in deep - Semi Cut off



### Reflector mod. 7 regulable (pos. 0°) - Transparent flat screen.

Asymmetric for street centre lighting or cycle path lighting - Full cut off - Type I Short.

