

DESCRIPTION

Dimensions - Area exposed to wind pressure - Weight

Height	Width	Length	Diameter	Area exposed to wind (S)	Weight ^(A)	Weight ^(B)
690 mm			700 mm	0.219 m ²	12.9 Kg	10.9 Kg

^(A) Max weight of light fixture with electromagnetic wiring.

^(B) Max weight of light fixture with electronic wiring.

Electrical characteristics (electromagnetic wiring)

Voltage	Frequency	IP	Insulation class	Cos Φ	Oper. Temp. °C
230V	50Hz	66	CL II \square CL I \perp (on request)	> 0.9	-30... +40

Electrical characteristics (electronic wiring)

Voltage	Frequency	IP	Insulation class	Cos Φ	Oper. Temp. °C
208-277V	50/60Hz	66	CL II \square CL I \perp (on request)	> 0.9	-30... +50

Conformity

	2014/35/UE (LVD)	2014/30/UE (EMC)	2011/65/UE (RoHS)	(ErP)
--	---------------------	---------------------	----------------------	-------

Mounting system

- Threaded tube G3/4" male in galvanized steel, with inside cable gland PG16.
- Suitable only for suspended mounting.

Materials

- Die-cast and sheet aluminum (UNI EN 1706).
- Acrylic (PMMA).
- Screws in stainless steel and brass.

Structure - Main components

- Upper frame composed by an element with bell shape in die-cast aluminum with a visor in aluminum sheet, equipped with threaded tube G3/4" male in galvanized steel for mounting to the support.
- Lower tilting frame with circular shape in die-cast aluminum, for access to the auxiliary and optical compartment, composed of a ring with support function for the screen, the optical system.
- Wiring plate in sheet aluminum, easily removable.
- Neoprene gasket between frames.
- Screen semi-sphere shaped in acrylic (PMMA) transparent or frosted.
- Shock resistance: IK06.

Optics

- Reflector mod. 5 - street lighting. - Installation on the side of street.
- Reflector mod. 7 - Cycle-pedestrian / center street lighting.

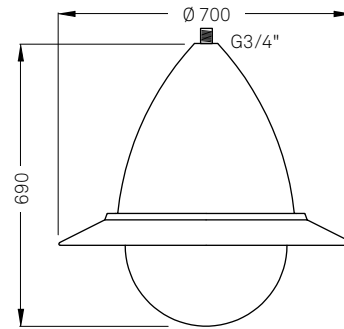
Operations and maintenance

- To open the light fixture and to access to the wiring and optic compartment, unscrews two knobs and rotate the lower frame.
- Electric auxiliaries individually replaceable.
- During maintenance operations, no part or component is detached from the structure.
- During installation, follow the instructions for the correct optic orientation on the support.
- Periodic maintenance (about once a year) for external cleaning of the structure and screen from dust and smog, and the control of fastening of all screws, must be performed with light fixture switched off and cold.

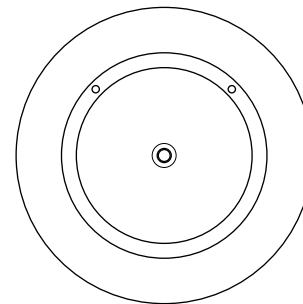
Painting

- Standard color is metalized matt dark gray, type Neri.
- The ring for support of reflector and screen is white color.
- Other colours of RAL range on request.
- Information about paint steps used on this product in specific technical sheet.

DRAWINGS AND TECHNICAL INFORMATIONS



Front view



Plan view



Example with frosted screen

Code construction

To configure the complete code of luminaire, add in sequence after **Serie** code, the others parts of code: Ballast-screen (**SSS**) + Optic (**X**) + Lamp predisposition (**YY**) + Wiring type (**ZZ**). See configurations tables on the following page.

CONFIGURATION WITH ELECTROMAGNETIC WIRINGS

Screens

Cod. SSS	Light fixture series	Materials	Finiture	Shock R.
A21	323	Transparent flat glass	Transparent	IK08
A09	320-321-322	Acrylic(PMMA)	Frosted	IK06
A11	320-321-322	Acrylic (PMMA)	Transparent	IK06
A41	321 (only with wiring 36)	Polycarbonate o (PC)	Transparent	IK10
A42	321 (only with wiring 36)	Polycarbonate (PC)	Frosted	IK10

Optics

Cod. X	Type	Lighting classes	Classe IES
5	mod. 5 - fixed	Street lighting.	Full cut-off
7	mod. 7 - fixed	Cycle-pedestrian-center street lighting	Full cut-off

- Reflector mod. 5 and 7 in pressed aluminum sheet, polished and oxidized (thickness 1 mm - purity 99.90%).
- Lampholder regulable for a optimal positioning of lamp.
- Height of installation: from 5.0 to 9.5 meters.

Wirings (Predisposition for lamps with optical and socket)

Cod. YY	Lamps predisposition	W	Optics	Sockets
32	(MT) Metal halide - (ST) Sodium H.P.	70	5 7	E27
33	(MT) Metal halide - (ST) Sodium H.P.	100	5 7	E40
35	(MT) Metal halide - (ST) Sodium H.P.	150	5 7	E40
36	(MT) Metal halide - (ST) Sodium H.P.	250	5 7	E40

- Electromagnetic ballast with high efficiency (CELMA class EEI=A3), with thermal protection .
- Electronic ignitor (pulses until to 4.5 KV).
- Power factor correction capacitor.
- Ceramic lamp holders in relation to the type of lamp.
- Electric components on wiring plate easily removable with plug-in connections.
- Automatic disconnecter when extracting the wiring plate.
- Terminal board for cables with max section of 2,5 mm².

Wirings (Characteristics)

Cod. ZZ	Details
14	Insulation class CL II  - Fuse 400V-6.0A gG (8.5 x 31.5 mm) - Disconnecter

Note

- Use lamps with efficiency \geq di 90 lm/W. The lamps are not included in the wiring.
- On request can be realized other wiring configurations.

CONFIGURATION WITH ELECTRONIC WIRINGS

Screens

Cod. SSS	Light fixture series	Materials	Finiture	Shock R.
E21	323	Tempered flat glass	Transparent	IK08
E09	320-321-322	Acrylic (PMMA)	Frosted	IK06
E11	320-321-322	Acrylic (PMMA)	Transparent	IK06

Optics

Cod. X	Type	Lighting classes	Classe IES
5	mod. 5 - fixed	Street lighting.	Full cut-off
7	mod. 7 - fixed	Cycle-pedestrian-center street lighting	Full cut-off

- Reflector mod. 5 and 7 in pressed aluminum sheet, polished and oxidized (thickness 1 mm - purity 99.90%).
- Lampholder regulable for a optimal positioning of lamp.
- Height of installation: from 5.0 to 9.5 meters.

Wirings (Predisposition for lamps with optical and socket)

Cod. YY	Lamps predisposition	W	Optics	Sockets
C5	CPO-TT (Philips)	90	5 7	E40
C6	CPO-TT (Philips)	140	5 7	E40
D5	(ST) Sodium H.P.	100	5 7	E40
D6	(ST) Sodium H.P.	150	5 7	E40

- Programmable electronic ballast with auto self diagnostics functions, protected against short circuit, over-temperature and over-voltages up to 10 kV (EN61547).
- Estimated life B10 a 80.000 h.
- Ceramic lamp holders in relation to the type of lamp.
- Electric components on wiring plate easily removable with plug-in connections.
- Automatic disconnecter when extracting the wiring plate.
- Terminal board for cables with max section of 2,5 mm².

Function of electronic ballast

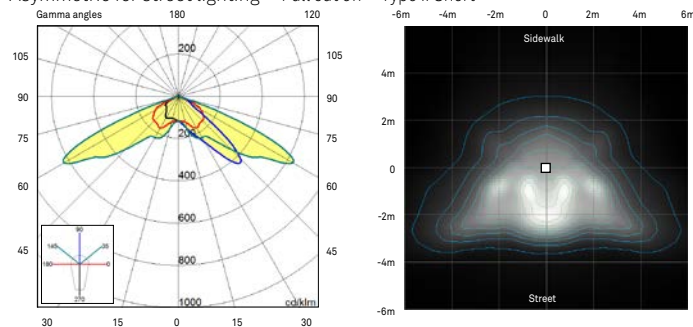
Cod. ZZ	Details
06	DALI - NCL (Neri Costant lumen)
13	NVL6H (automatic control integrated for lighting flux reduction) - 30% for 6 hours

Note

- Use lamps with efficiency \geq di 90 lm/W. The lamps are not included in the wiring.
- On request can be realized other wiring configurations.

Reflector mod. 5 - Transparent flat screen.

Asymmetric for street lighting - Full cut off - Type II Short



Reflector mod. 7 - Transparent flat screen.

Asymmetric for street centre lighting or cyclepath lighting - Full cut off - Type I Short.

