

## DESCRIPTION

### Compliance

- ENEC15 safety mark.
- In compliance with EN62031, EN62778, EN62717, EN61347-1, EN61347-2-13, EN62384.



### Mechanical information

Height	Width	Length	Weight	IP	IK	Area (S)
400 mm	375mm	375mm	10,5 Kg	66	08	→ 0,07 m <sup>2</sup> - ↑ 0,11 m <sup>2</sup>

### Electrical characteristics

Voltage	Frequency	Cos φ	Classe isolamento	Operative Temp.
220-240V	50-60Hz	> 0,9	CL II □	-35°C / +40°C

- Classe I of insulation (on request).

### Fixing

- Only suitable for suspended mounting.
- Threaded connection G 3/4".

### Materials

- Die-cast aluminium (UNI EN 1706).
- Extra clear transparent tempered flat glass.
- Polycarbonate (PC).
- Stainless steel fasteners.

### Structure - Main components

- Bell top frame
- Lower skirt frame, hinged opening for access to the auxiliary and optical compartment.
- White PC internal reflector.
- Protective screen in extra clear tempered glass.
- Osmotic valve for internal/external pressure balance.
- Dedicated compartment to house any additional voltage arresters or remote control systems.

### Electrical auxiliaries

- Electronic power supply with short-circuit, over-temperature and overvoltage protection with estimated life time B10 at 100,000 h.
- Automatic disconnection switch on opening.
- Terminal board for cables with max. section 2,5mm<sup>2</sup>.
- Power cable entry with PG16 cable gland (Ø 10-14mm).
- Standard DM and CM 6kV/10kV (CL I, CL II) differential mode overvoltage protection and 10kV/10kV (CL I, CL II) additional protection (on request).

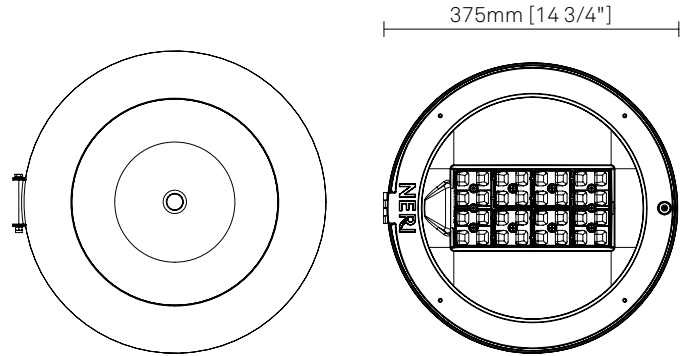
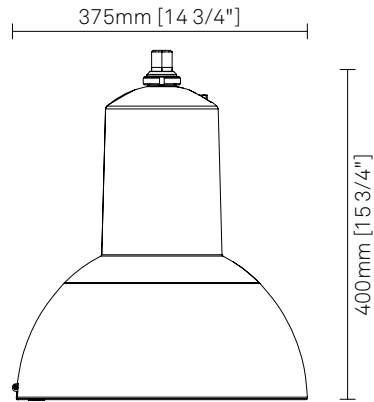
### Operations - Maintenance

- Periodic maintenance for external cleaning of the structure and screen from dust and smog and to control the clamping to the support.
- Refer to the product installation and maintenance manual.
- It is the installer's responsibility to ensure correct installation and electrical connection in compliance with the applicable standards in force.

### Painting

- Upper frame: standard colour Black Grey.
- Lower frame: matt white RAL 9010.
- Painting cycles - see specific sheet.

## DRAWINGS AND TECHNICAL INFORMATIONS



## DESCRIPTION

### Optic

Cod. XX	Lighting distribution	Distribution type	LOR*	ULOR
20	Type II - A	Asymmetric	100%	0%
21	Type III - A	Asymmetric	100%	0%
24	Type IV - A	Strong asymmetric	100%	0%
28	Type I - A	Center road	100%	0%
30	Type V - A	Rotosymmetric	100%	0%

- \* optical performance device due to physical shielding.  
 - Modular 2X2 refractive lenses in PMMA.  
 - Maximum luminous intensity for  $\gamma \geq 90^\circ$ : < 0.49 cd/klm.  
 - Wide range of optical distributions (On request).  
 - Plastic material reflector for flux recovery and glare reduction.  
 - Maximum installation height: over 3.50 meters.

### Luminous flux

3000K	System*			LED module			
Cod. YYY	lm	W	lm/W	n.LED	mA	W	lm/W
1NA	1500	11,2	134	16	209	9,3	162
1N0	2500	19,1	131	16	360	16,2	154
1N1	3500	27,6	127	16	526	24,0	146
1N2	4500	34,1	132	24	441	30,0	150
1N3	6000	48,1	125	24	613	42,3	142
1N4	7500	57,3	131	32	569	52,2	144
1N5	9000	71,7	125	32	704	65,3	138

### Luminous flux

4000K	System*			LED module			
Cod. YYY	lm	W	lm/W	n.LED	mA	W	lm/W
3NA	1500	10,6	141	16	199	8,8	170
3N0	2500	18,1	138	16	342	15,4	163
3N1	3500	26,1	134	16	497	22,7	154
3N2	4500	32,3	139	24	418	28,4	158
3N3	6000	45,4	132	24	580	39,9	150
3N4	7500	54,1	139	32	538	49,3	152
3N5	9000	67,6	133	32	666	61,5	146

- \* The energy values in the table refer to the LED module + power supply unit.  
 - Power LED module on printed circuit board with metal plate.  
 - Internal heat sink in cast aluminium in continuity with the external frame.  
 - NTC sensor on LED plate for dangerous temperature control.  
 - Estimated lifetime (EN 62722-2-1, data LM80): 100.000h L85B50 (Tq = 25°C).  
 - Colour rendering index: CRI > 70 within Mac Adam's 5 ellipses.  
 - Efficiency of individual LEDs: 166 lm/W (4000K) - 150 lm/W (3000K) at 85°C, 350mA.  
 - Photobiological risk (IEC/TR 62778): RG1 to RG2 class at 2.6m from source.  
 - Photobiological risk (EN62471): class RG0 over 3.2m.

### Driver

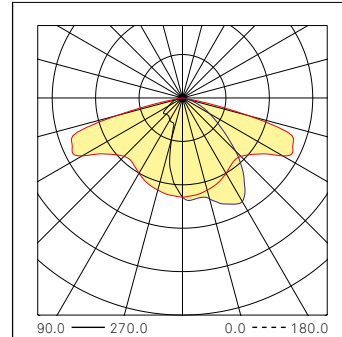
#### Cod. ZZ Driver functions

02	1-10V + NCL (Analogic control + Neri costant lumen)
06	DALI + NCL (Digital control + Neri Constant Lumen)
14	NVL6H + NCL (autodimming -30% x 6h + Neri costant lumen)

## POLAR DIAGRAMS

### Type II - A

Luminous intensity class G\*4



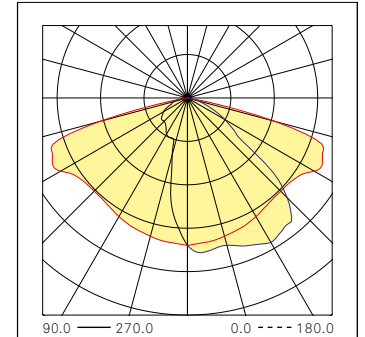
Flux code CIE

N.1 N.2 N.3 N.4 N.5  
40 73 96 100 100



### Type III - A

Luminous intensity class G\*3



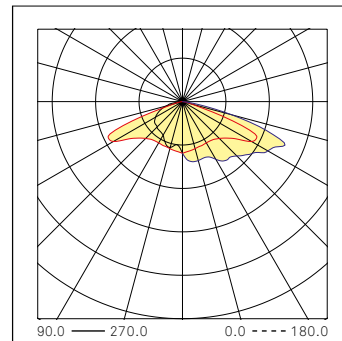
Flux code CIE

N.1 N.2 N.3 N.4 N.5  
40 74 96 100 100



### Type IV - A

Luminous intensity class G\*2



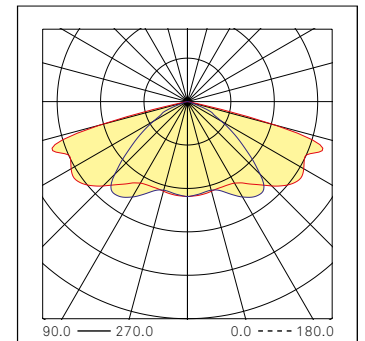
Flux code CIE

N.1 N.2 N.3 N.4 N.5  
28 59 94 100 100



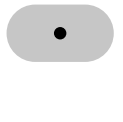
### Type I - A

Luminous intensity class G\*6



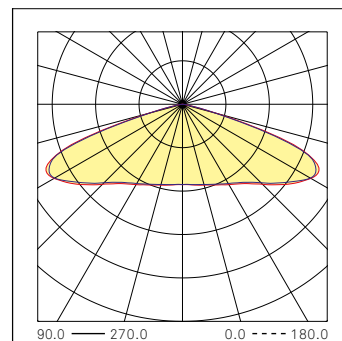
Flux code CIE

N.1 N.2 N.3 N.4 N.5  
37 76 98 100 100



### Type V - A

Luminous intensity class G\*4



Flux code CIE

N.1 N.2 N.3 N.4 N.5  
23 57 95 100 100

