

Pavilions

The essential and graceful architectural style of our pavilions is ideal for accompanying those moments of relaxation in a boldly classical feel setting.



PAVILIONS

Versions overview

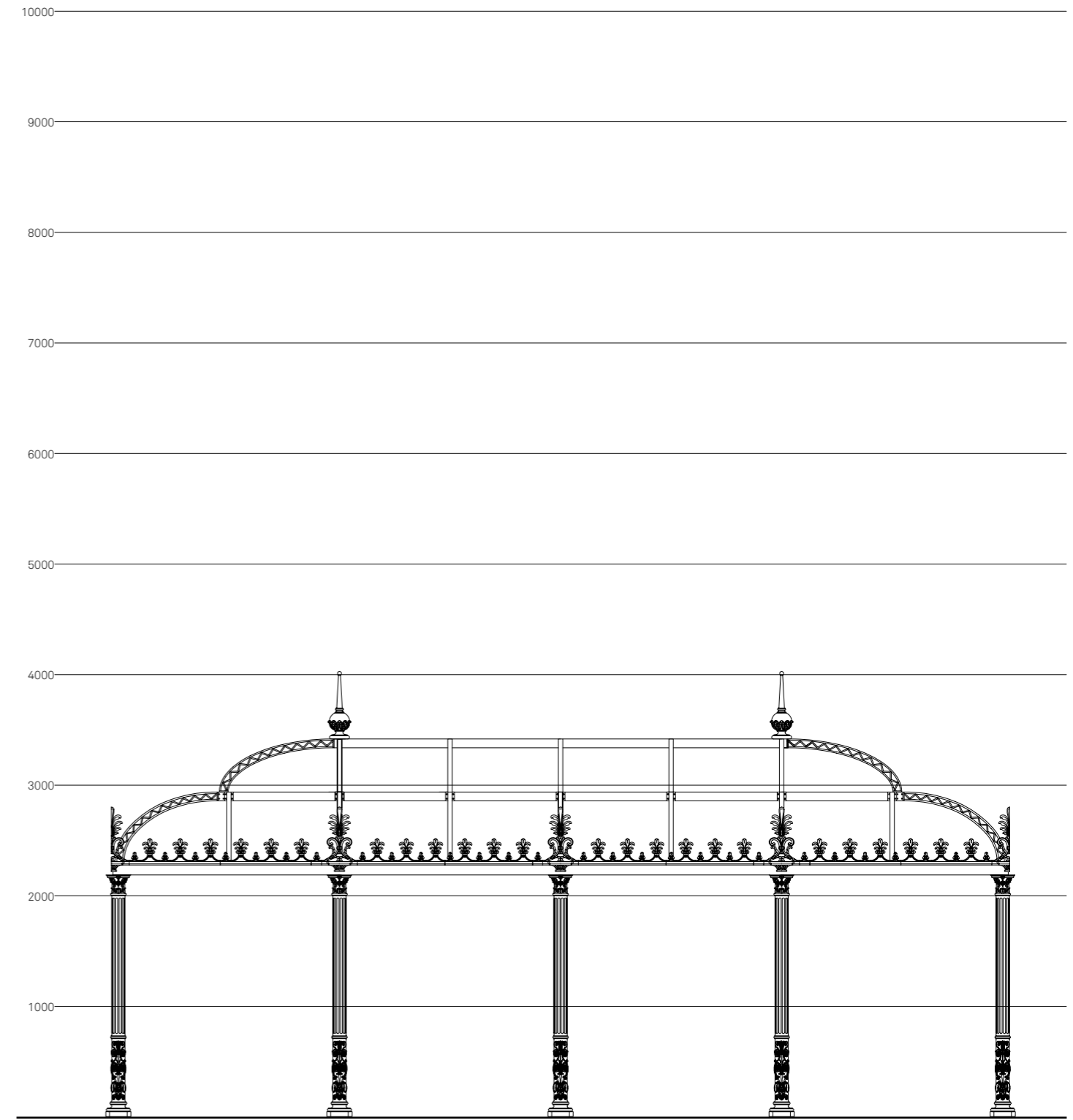
Pavilions can be accessorized with: self-extinguishing covering (class II), beams with predispositions for draperies and internal illumination.

scale 1:50
dimensions in mm

The pavilion is made up of a colonnade in cast iron supported internally by steel cores. The roof is made with shaped reticular steel girders ready made to house drapes supplied on request. Standard colours are Neri grey, RAL 6005 green and RAL 9010 white; other colours are available on request.

Materials. Load-bearing columns in cast iron, supported internally by steel cores. Shaped reticular steel beams, decorative features in cast iron. Self-extinguishing polymer roof with internal metal framework.

Finishes. Hot-dip galvanized steel, standard paintwork in Neri Grey, RAL 6005 green or RAL 9010 white.



Pavilion

PAVILIONS

Composition of the code

The code is composed of two consecutive parts, which correspond to pavillon plan, and height and interaxis spacing of selected columns.

Pavillons are available in two different heights: standard (without base) and increased, with a base under bearing columns.

Pavillons are available with 2-meter interaxis columns or with optimised span.

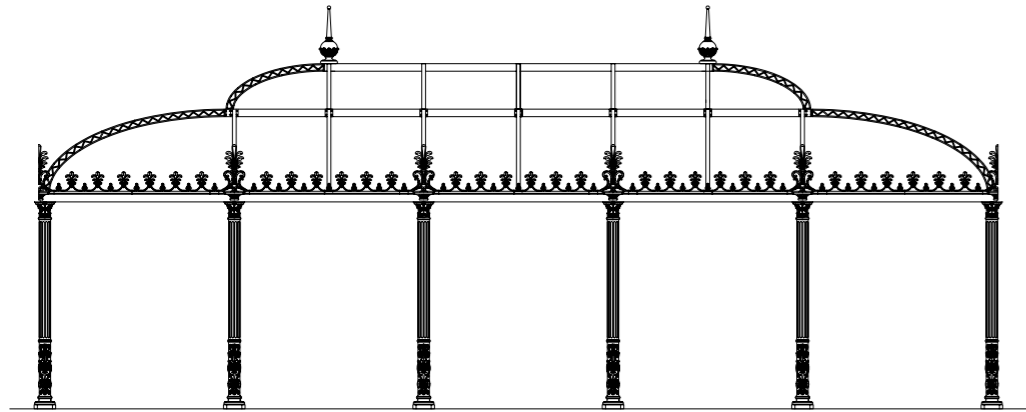
XXXX.

Pavilion plan

XXX

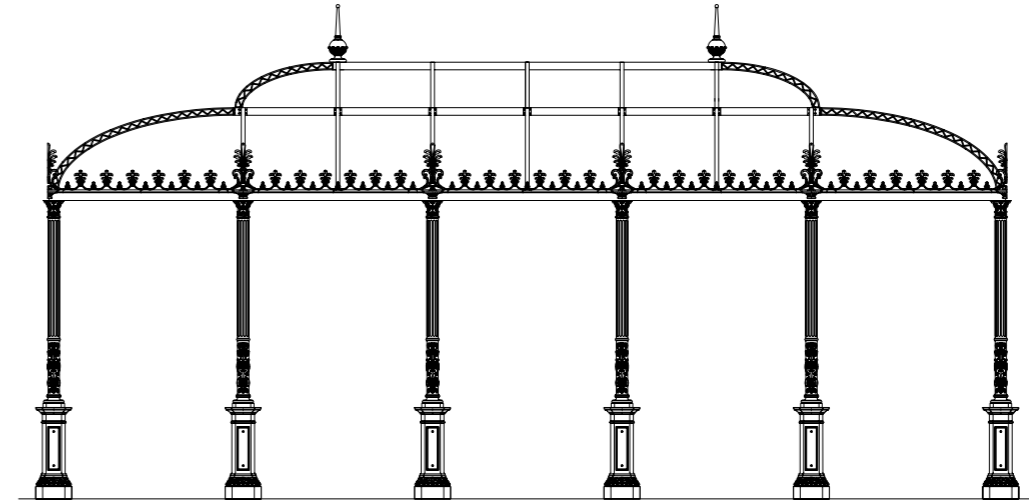
Columns height and interaxis

Columns height and interaxis



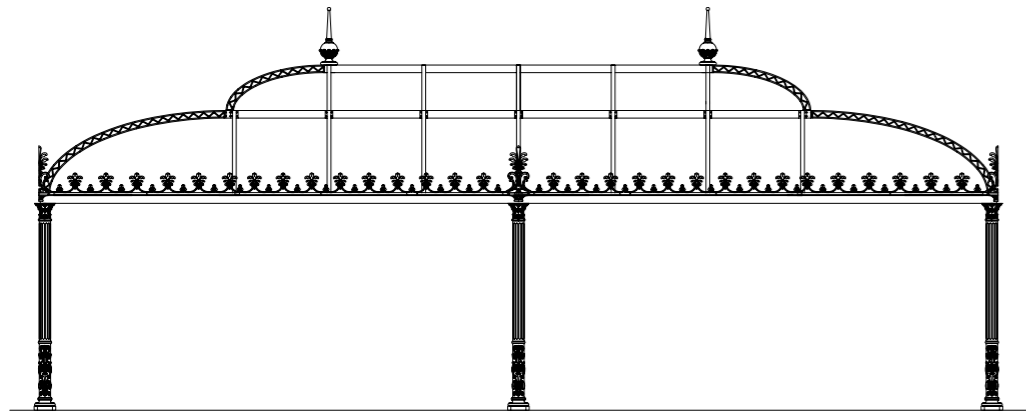
Code XXXX.000

Standard height of 218,5 cm and column with interaxis of 200 cm



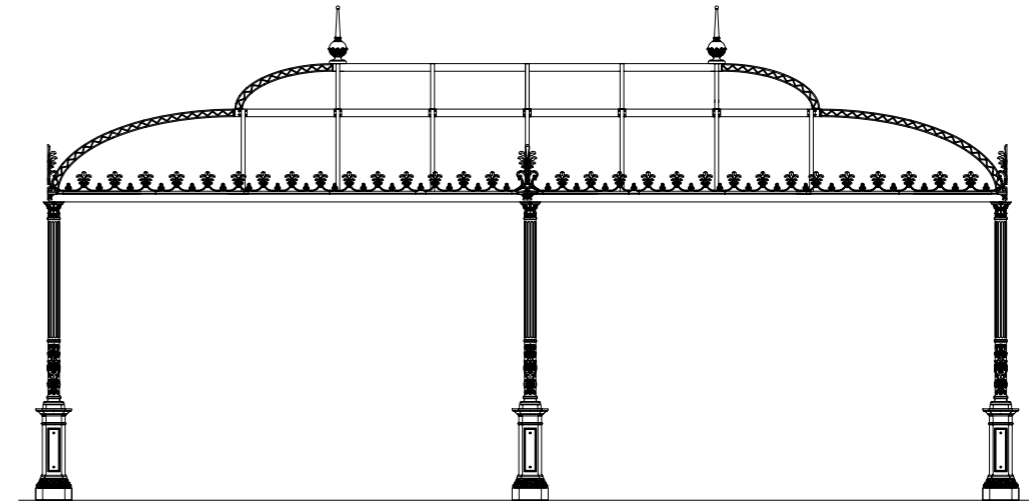
Code XXXX.100

Increased height of 315 cm and column with interaxis of 200 cm



Code XXXX.200

Standard height and column interaxis optimised



Code XXXX.300

Increased height and column interaxis optimised

PAVILIONS

Pavillons with rectangular plan cover a minimum surface area of 16m² and a maximum surface area of 60m².

scale 1:400
dimensions in mm

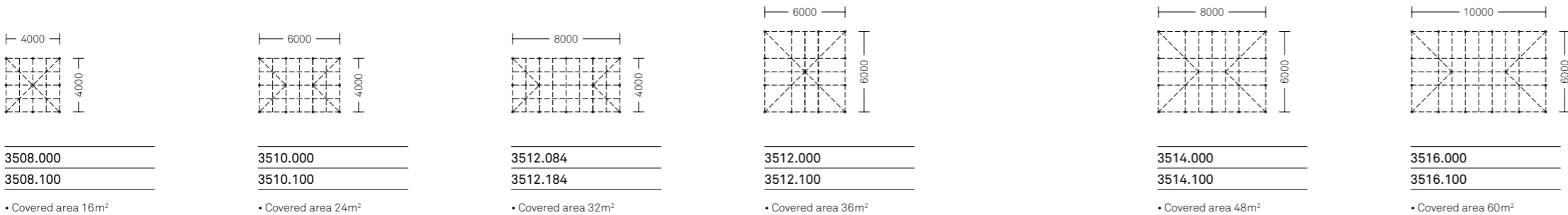
XXXX.

XXX

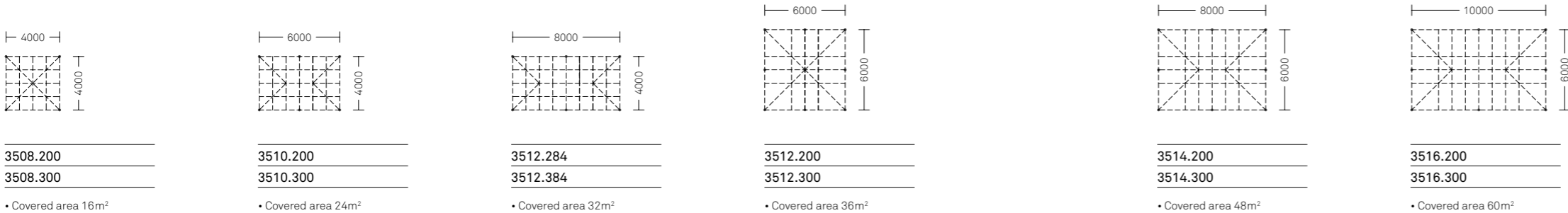
Pavilion plan

Columns height and interaxis

Columns with interaxis of 2m



Columns interaxis optimised





3512.200

Location: Stresa, ITA



3516.000

Location: Cannes, FRA

Pavilions



Pavilions

3516.200

Location: Hvar, HRV



3512.184

Location: Hong Kong, CHN



3516.000

Location: Mazzara del Vallo, ITA

Pavilions

Neri S.p.A.
S.S. Emilia 1622
47020 Longiano (FC) · Italy
T +39 0547 652111
F +39 0547 54074

Neri North America Inc.
1547NW 79th Avenuez
Miami, FL 33172, USA
T +1 786 315 4367
F +1 786 693 7763

Neri Lighting India Pvt. Ltd.
Plot no 46-A, Malur 4th
Phase,
KIADB Industrial area,
Malur – Karnataka · 563130

Neri S.p.A. (DMCC Branch)
29-29 Reef Tower Cluster O
JLT – Jumeirah Lake Towers
P.O. Box: 5003348 ·
Dubai · UAE
T +971 4 448 7246
F +971 4 448 7112

Publisher: Neri S.p.A.
Design: Neri S.p.A.
Printed by: Pazzini
Stampatore Editore Srl

Neri is a registered trademark.
Neri protects its products,
filing invention and design
patents.

We reserve the right to
make changes in design and
technology for the customers
interest. Furthermore
products may have different
characteristics for several
countries.

©February 2023 · Neri S.p.A.

