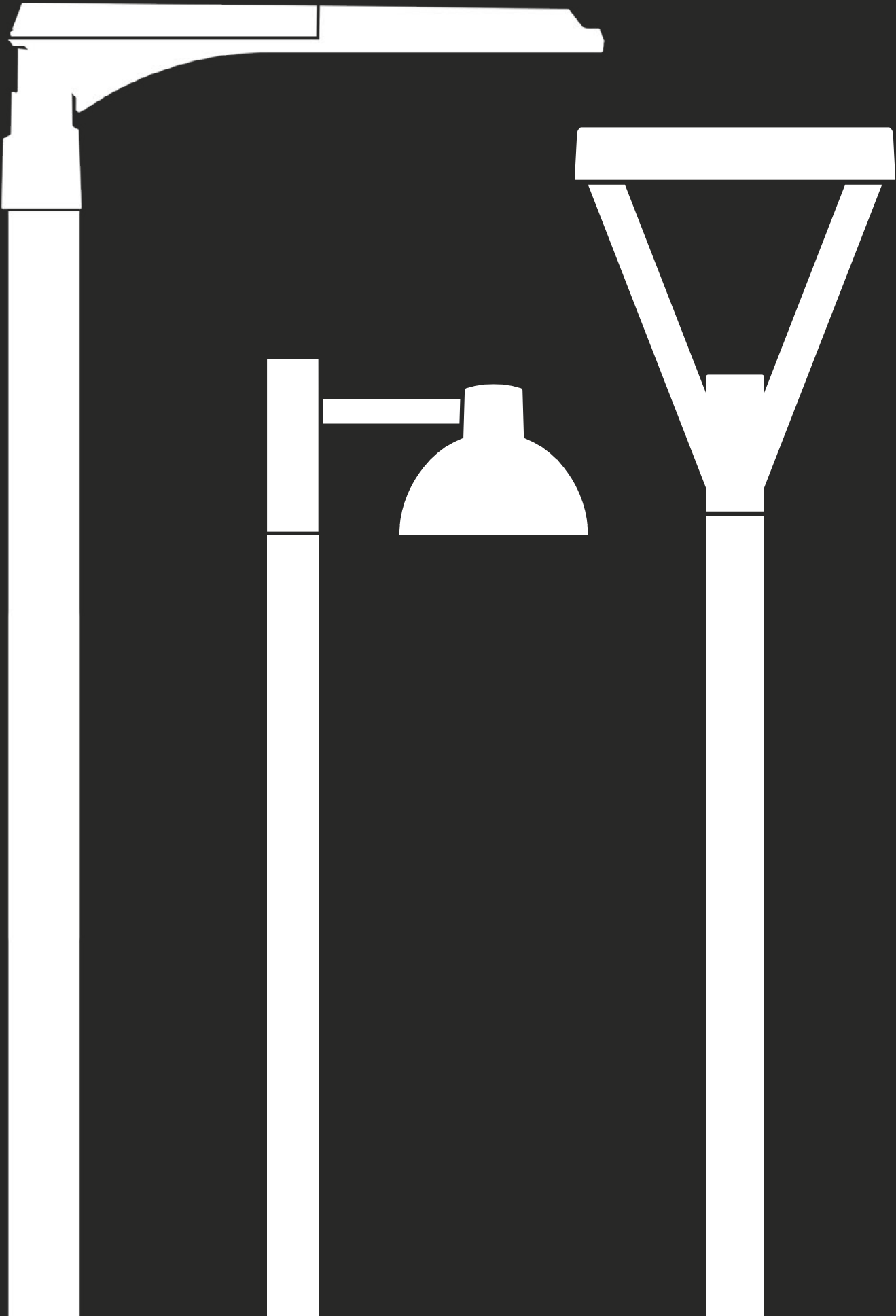


NERI

NERI 
BUY AMERICA
 QUICK SHIP



NERI 
BUY AMERICA
 **QUICK SHIP**

Neri Buy American Suitability

To appreciate the history of Neri North America, it's helpful to know a bit about the story of Neri, an international company based in Longiano, Italy, and its relationship to our team here in Miami.

Neri, a third-generation family-held company, was founded in 1962. At its inception, Neri began producing the world's finest urban furniture and architectural lighting solutions. Quality above all... from the very beginning! Our products have been installed on 6 of the 7 continents around the world, excepting only Antarctica – but including some of the most known and notable sites/locations historically, thematically, and scenic.

After an enduring presence supporting demanding and discriminating designers and clients across North America for more than 30 years – and nearly 10 years with our own physical presence in the US – we at NERI have long been compliant with relevant UL and CSA standards and have adopted and incorporated many of the imperatives of the International Dark Sky Association.

Now we can offer a range of products that comply with the regulations of Buy American. Our Buy American - compliant products have the below logo on their spec sheets, so you can quickly identify them and incorporate them in your project. Our Buy American come with a manufacturer's certification describing our manufacturing process in the United States. For any additional code compliance needed for a project-specific request, we can work with you to fulfill your needs. For additional details about our various compliance capabilities contact us at neri-us@neri.biz or call 786.315.4367



www.nerinorthamerica.com

Long term warranty

All materials and component parts are guaranteed to be free from defects of material and/or workmanship for a period of 7 years from the date of shipment.

- Die-cast marine-grade low copper content aluminum alloy (UNI EN 1706)
- Timeless luminaire housing design with built in heat sink
- Regressed optics with glare-reduction optical platform
- Reflection-free optical glass lens
- Stainless steel hardware and fasteners
- Durable construction IP66 rated enclosure for optics and electronics
- Internal and external shielding accessories including Back Spill Light Control, LEED Right or Left Corner Optics
- Tool-less luminaire access*
- Removable tray electronics*
- Adjustable mounting bracket that tilts in 5° increments up to 20°
- Universal round or square side-mount pole arm bracket*
- Integral 6kVA surge protector
- 3, 5 and 7-pin Photocontrol receptacles*
- Title 24 Compliant Motion Sensor
- Enhanced long-term energy savings and personalized functionality with a full range of outdoor lighting controls
- 7-year warranty (finish and electronics)
- >90% Power Factor

*See the model for availability



Lyra page 10

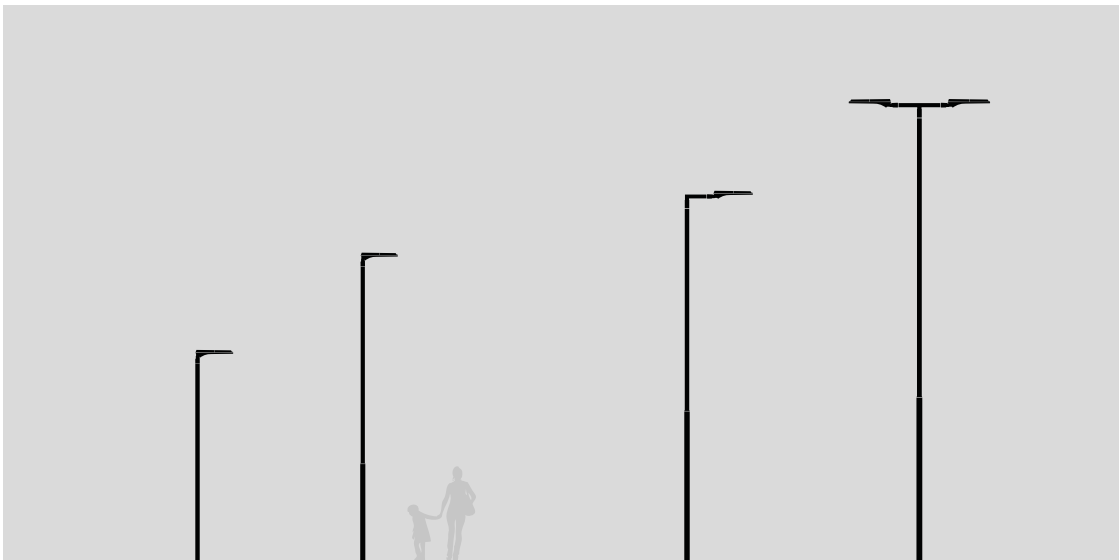
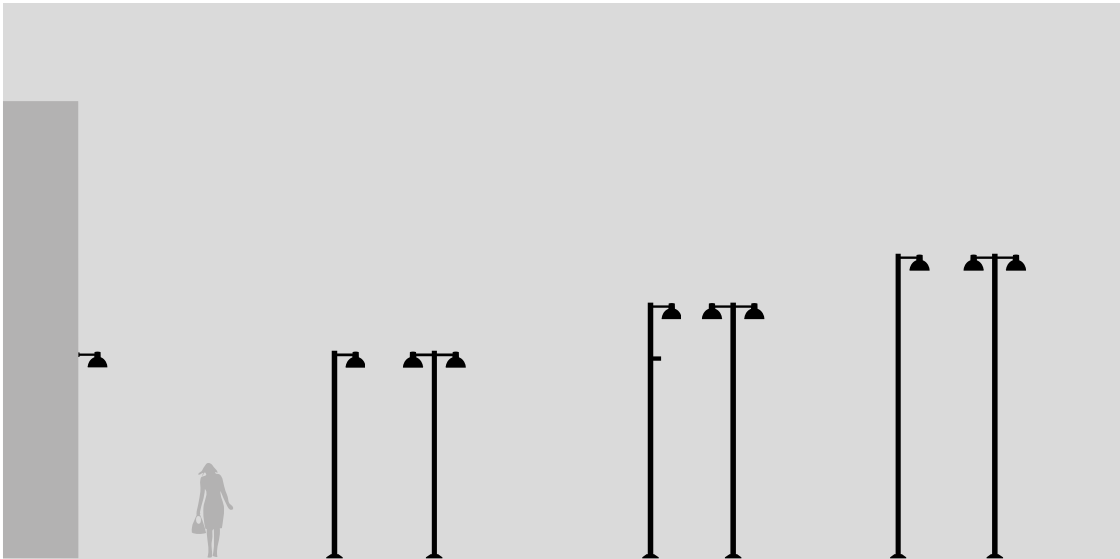
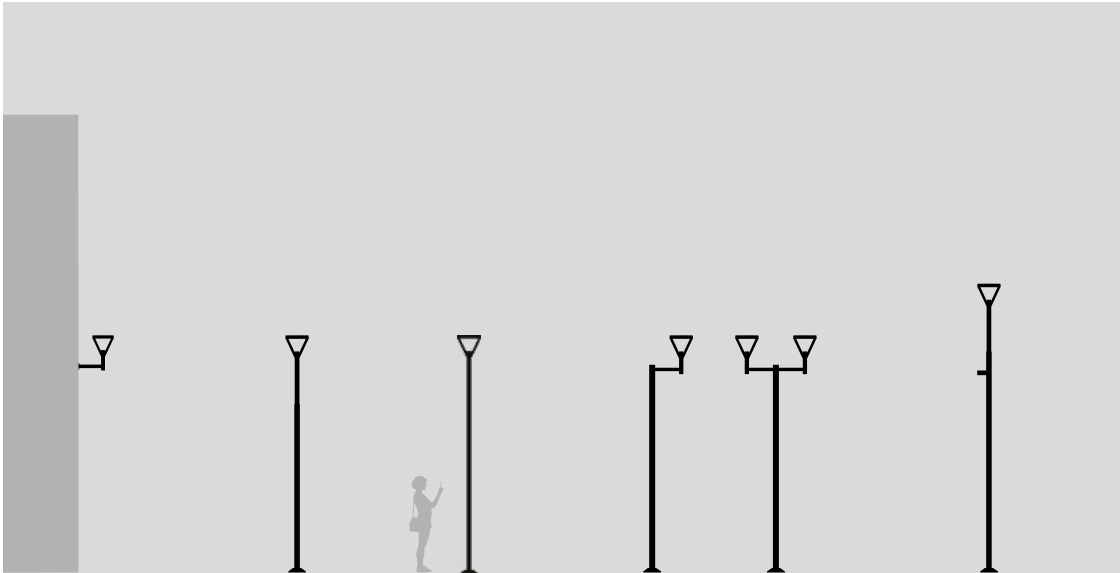


Nova page 23



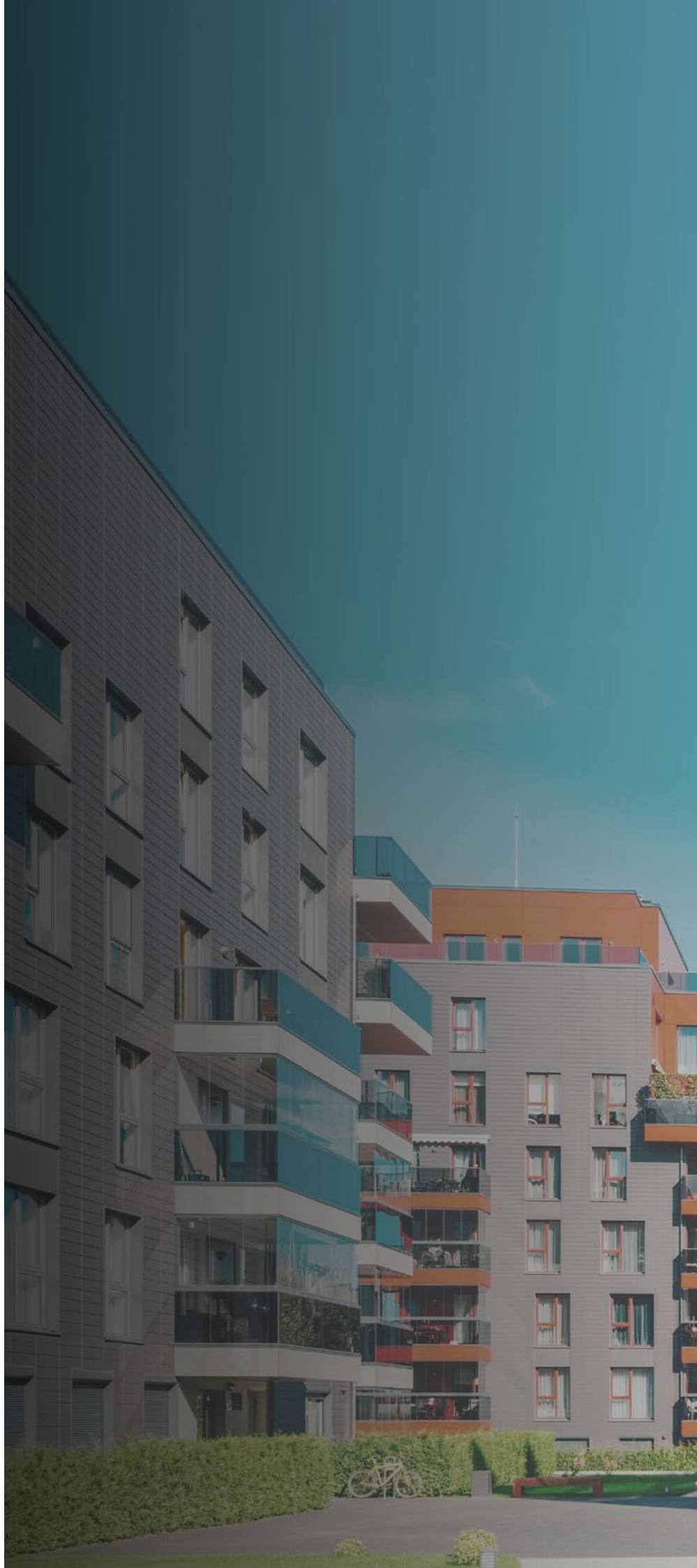
Antares page 34





LYRA

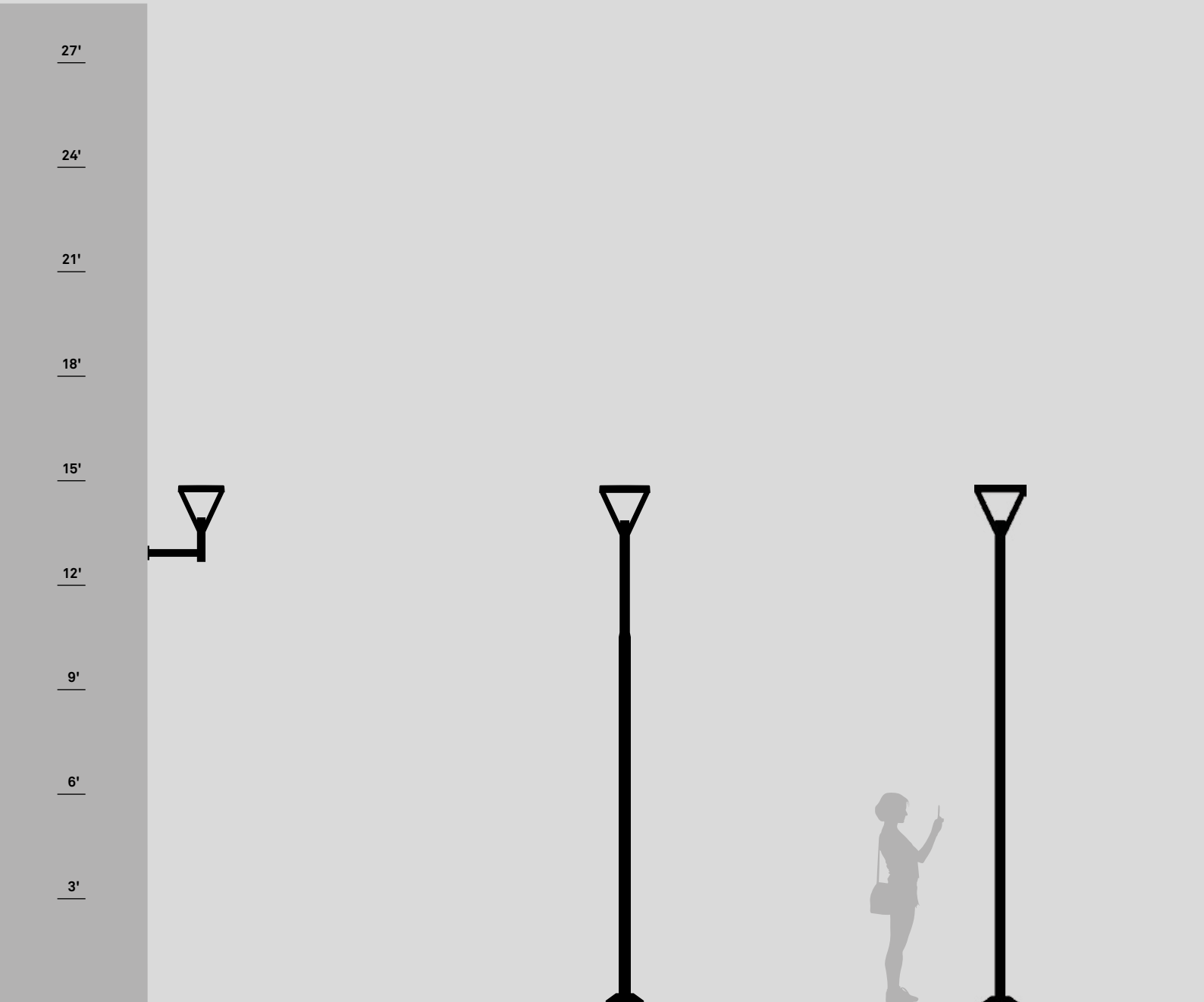
Characterised by contemporary architectural post top design with clean and geometric lines, with its five different distributions and lumen packages up to 9,000 lumens, Lyra optically meets demands of today's lighting designers, architects and engineers.





LYRA SYSTEM

Lyra can be installed on top of posts or connection points with a diameter $\varnothing 2'' 1/4$ and can be flush mounted on poles with a diameter of $\varnothing 3''$.



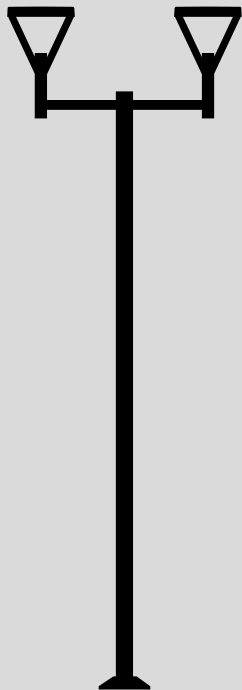
Wall mounted
luminaires Lyra

Step post top
luminaires Lyra
h 12'

Stright post top
luminaires Lyra
h 12'



Post top luminaires
with arm Lyra
h 12'



Post top luminaires
with arms Lyra
h 12'



Post top luminaires Lyra
h 15'



Lumen output: 1,500lm to 9,000lm

Color Temperature: 3000K, 4000K, 2700K*, full Amber*

*consult factory for lumen output and lead-time

TYPE II -D - Cutoff

LOR 100%

BUG (2,500lm): B1 U0 G1



TYPE III -B - Cutoff

LOR 100%

BUG (2,500lm): B1 U0 G1



TYPE III -C - Cutoff

LOR 100%

BUG (2,500lm): B1 U0 G1



TYPE IV -A - Semi Cutoff

LOR 100%

BUG (2,500lm): B1 U1 G1



TYPE V -A - Cutoff

LOR 100%

BUG (2,500lm): B1 U0 G1



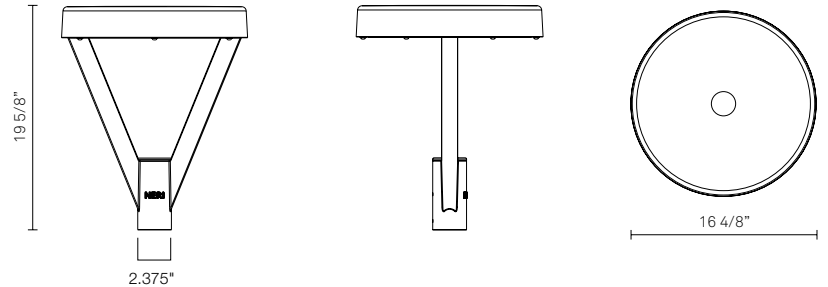
LYRA

COMPLIANCE

UL Standard 1598, UL8750



SOURCE	LED
VOLTAGE	120-277V
FREQUENCY	50/60Hz
EPA	0.43 sqft
WEIGHT	16.53lb
HEIGHT	19 5/8"
LENGHT	16 4/8"



Characterized by contemporary architectural post top “fork” design with clean, geometric lines, with its six different lighting distributions and lumen packages up to 9,000lm, Lyra functionally meets demands of today's lighting designers and architects.

Construction:

- Upper shell opening through with predisposition for auxiliary devices (NEMA Socket).
- Lower skirt frame in die-cast aluminum.
- White internal optical chamber.
- Aperture shield in flat tempered glass.
- Silicone gasket between the upper frame and aperture closure.
- Suitable for wet location.

Materials:

- Die-cast, low copper aluminum (UNI EN 1706).
- Prismatic tempered flat glass.
- Stainless steel fasteners.

Finish:

- Standard color: Neri Gray
- Paint system (see specific technical sheet).

Mounting:

- Suitable for post-top mounting.

Operation and maintenance:

- Only visual inspection for damage and external light cleaning are needed periodically.

Electrical Features:

- Voltage: 120-277V (voltage sensing driver).
- Rated power: from 11.7 W to 66.5 W.
- Supply frequency: 50/60Hz.
- Protection rating: IP66, IK09.
- Ambient operating temp.: -40°F / +122°F.
- Electronic power supply with protection against short circuits, overheating and power surges with an estimated duration of 112,000 h.
- Terminal block for wires with max. section of 0.0038in².
- Power cable with customizable length (on request).

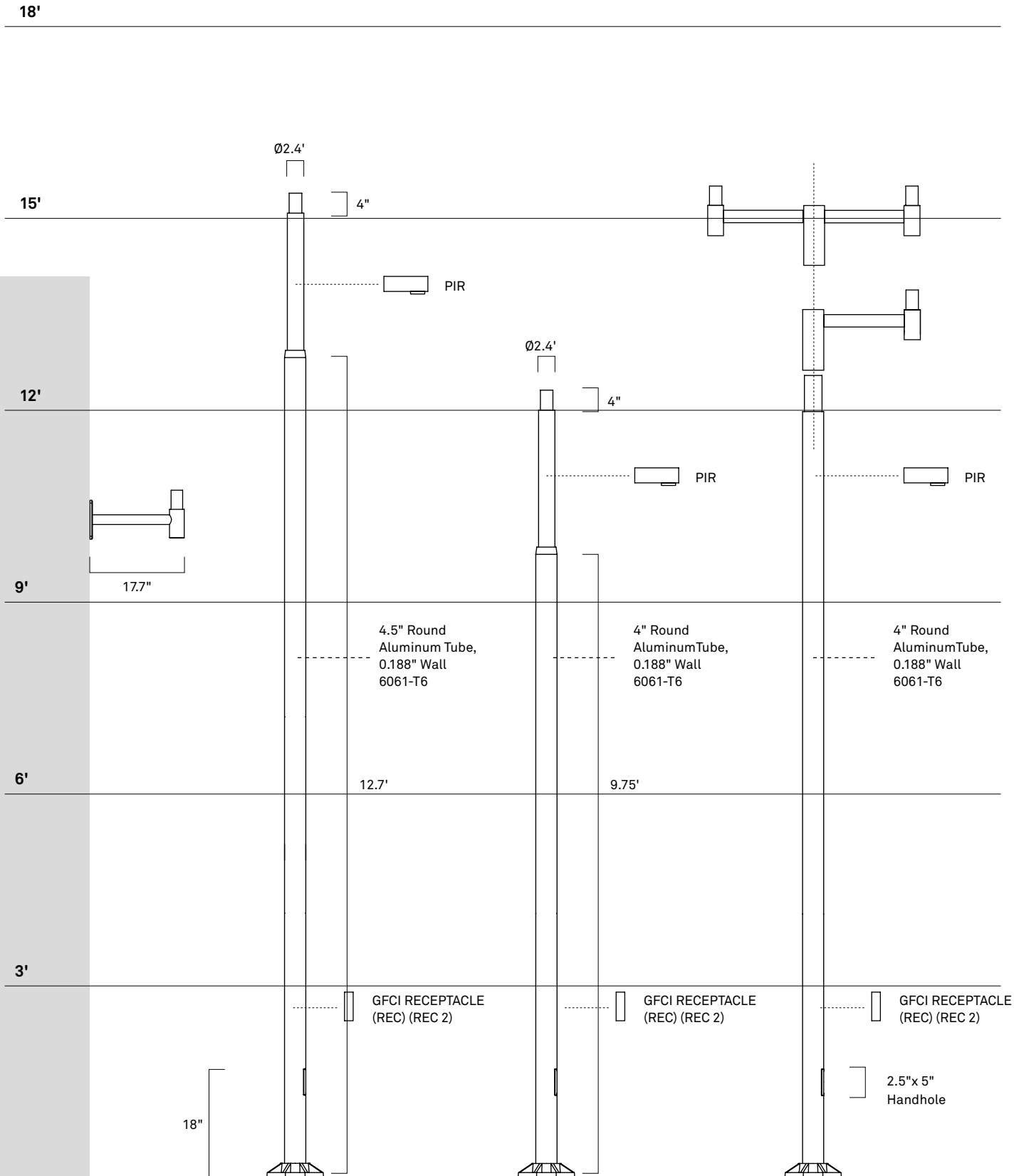
Optical Features:

- LED Type: Lumileds Luxeon 5050
- Source efficiency LED: 164 lm/W @Tj=25°C, 800 mA, 3000K
- Source efficiency LED: 169 lm/W @Tj=25°C, 800 mA, 4000K
- Lumen output: from 1,500 to 9,000 lm
- Color temperature: 3,000K or 4,000K
- Chromatic Rendering Index (CRI): > 80
- Estimated life: 100,000 hours (L90B10 - Tq25°C)

Driver Function:

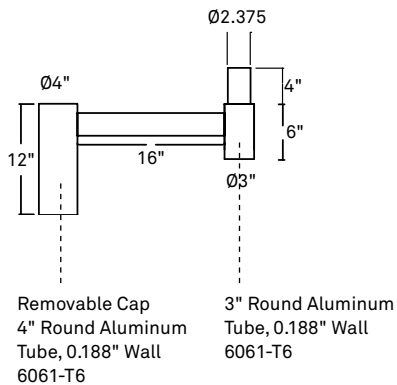
- 0-10V + NCL (Analogic dimming control + Neri)

LYRA POLES

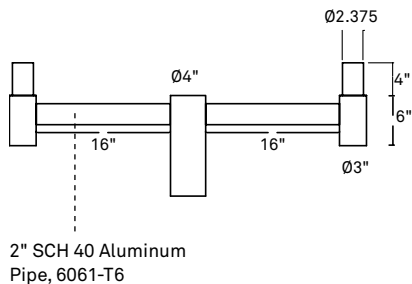


LYRA STRAIG POLE 12', 15'

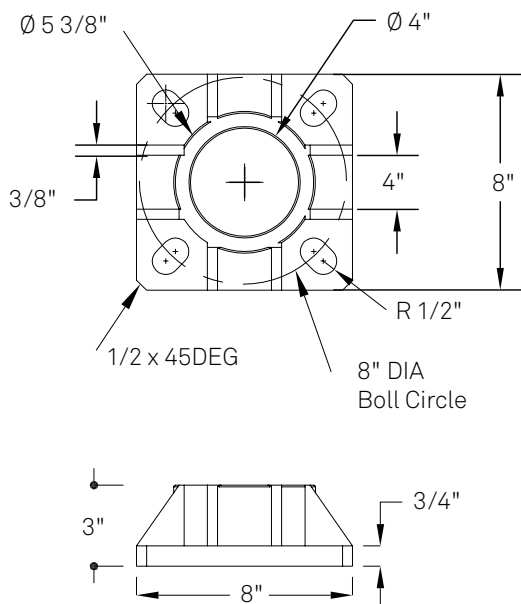
Lyra single bracket



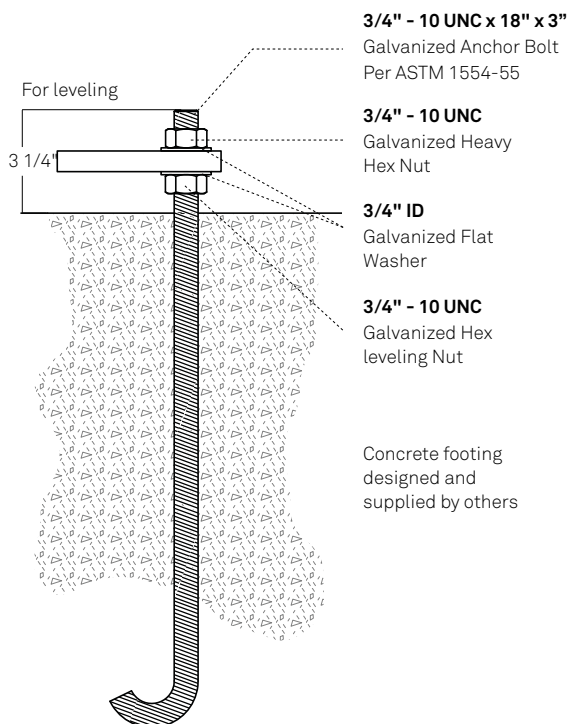
Lyra double bracket



FALNGE DETAIL



ANCHOR BOLT FOR POLES 12', 15', 18'



LYRA ACCESSORIES

1. Motion sensor

Continuous 0-10V dimming outdoor photo/motion sensor with Bluetooth technology. Designed for LED fixtures and rated for extreme temperatures. Fully adjustable high and low dimmed light levels. IP66 rated with choice of lenses for wet and outdoor locations, and mounting heights from 8' to 40'. (for more information reference FSP-3X1B series www.wattstopper.com)

2. Accessories (e.g. security camera, other sensors) mounting box

Wet rated enclosure that can accommodate security camera (provided by others) or any other additional sensors (provided by others). Integrated Cable passage hole. Neri Gray finishing.

3. Banner arm

Clamp on aluminum break away banner arm.

4a. 4a. GFCI Receptacle (low profile)

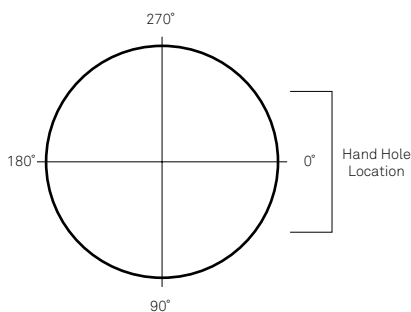
GFCI Receptacle (Type 1) - 120V 15A GFCI duplex receptacle with low profile weatherproof ultra-rugged polycarbonate self-closing profile. located 36" (915mm) o.c. from base of pole, in-line with hand hole. Receptacle is intended only for portable tools or other portable equipment to be connected to outlet only when attended by operating personnel (120V only).

4b. GFCI Receptacle (padlockable in-use cover)

120V 15A GFCI duplex receptacle with weatherproof Heavy duty die-cast aluminum construction self-closing cover, padlockable in-use cover. located 36" (915mm) o.c. from base of pole, in-line with hand hole. Receptacle is intended only for portable tools or other portable equipment to be connected to outlet only when attended by operating personnel (120V only).

5. Base cover

Die cast aluminum, two-piece field installable base cover.

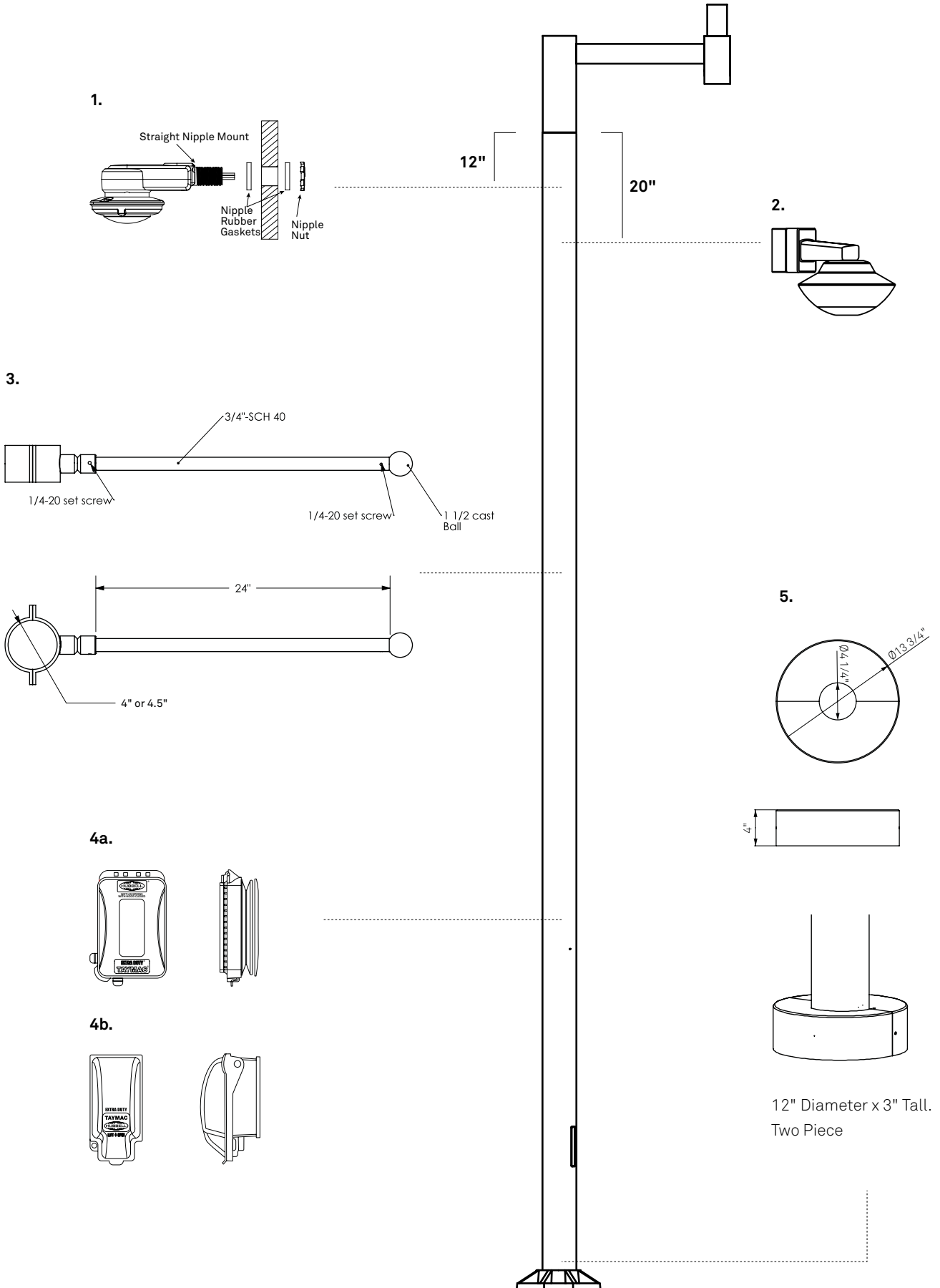


Accessories angular orientation:

0° = handhole position

Then 90° increments clockwise around pole

LYRA ACCESSORIES



LYRA CONFIGURATION

Fill in the gray spaces with the code associated with your selection.

LUMINAIRE CONFIGURATION

Code	Lyra P				PR GL	0-10 NLC	NG
Description	Luminaire	Optic system	CCT	Lumen output	Screen	Driver function	Finish
		TII - D = Type II - D	830 = 80/3000 K	1500lm	PR GL = Prismatic Glass	0-10 NLC	NG = Neri Grey
		TIII - C = Type III - C	840 = 80/4000 K	2500lm			
		TIV - A = Type IV - A		3500lm			
		TV - A = Type V - A	Amber = FWC	4500lm			
			Wildlife Approved*	6000lm			
				7500lm			
				9000lm			

*NOTE: Consult factory for Amber lumen output and lead-time

LAMP POST

Code	LP	A01				Neri Gray			
Description	Product family	Product name	Height (feet)	Shape	Mounting	Finish	Motion sensor	Camera	GFCI Receptable
	LP = Lamp post	A01 = Lyra	12 = 12ft 15 = 15ft	RT = Round Straight	[no code] = Without bracket	Neri Gray = Neri Gray	[no code] = = Without Motion Sensor Arrangement	[no code] = = Without Camera Arrangement	[no code] = Without GFCI arrangement
				RS = Round Step	SB = Single bracket		OCC0 = With Motion Sensor Arrangement at 0°	CAM0 = With Camera Arrangement at 0°	GFCI-LP = with GFCI receptacle low profile
					DB = Double bracket		OCC90 = With Motion Sensor Arrangement 90°	CAM90 = With Camera Arrangement 90°	GFCI-IN = with GFCI receptacle padlockable in-use cover
								CAM180 = With Camera Arrangement at 180°	
								CAM270 = With Camera Arrangement at 270°	

NOTE: pole is suitable for 180MPH and/or FBC (Florida Building Code) approved.

LYRA CONFIGURATION

Fill in the gray spaces with the code associated with your selection.

WALL BRACKET

Code	WB	A01	SM	15IN	Neri Gray
Description	Product family	Product name	Version	Lenght	Finish
	WB = Wall bracket	A01 = Lyra	SM = Side	15IN = 15"	Neri Gray = Neri Gray

BASE COVER

Code	OP	AC1		12IN	Neri Gray
Description	Product family	Product name	Hole diameter	External diameter	Finish
	OP = Base cover	AC1 = Lyra	4IN = Ø 4" 4.5IN = Ø 4.5"	12IN = Ø 12"	Neri Gray = Neri Gray

BANNER ARM

Code	OP	AB1			24IN	Neri Gray
Description	Product family	Product name	Fixing diameter	Type	Lenght	Finish
	OP = Banner arm	AB1 = Lyra	4IN = Suitable for Ø 4" 4.5IN = Suitable for Ø 4.5"	1BA = Single 2BA = Double	24IN = 24"	Neri Gray = Neri Gray

NOVA M

Timeless and familiar design, versatile and robust, low power consumption and reduced glare.

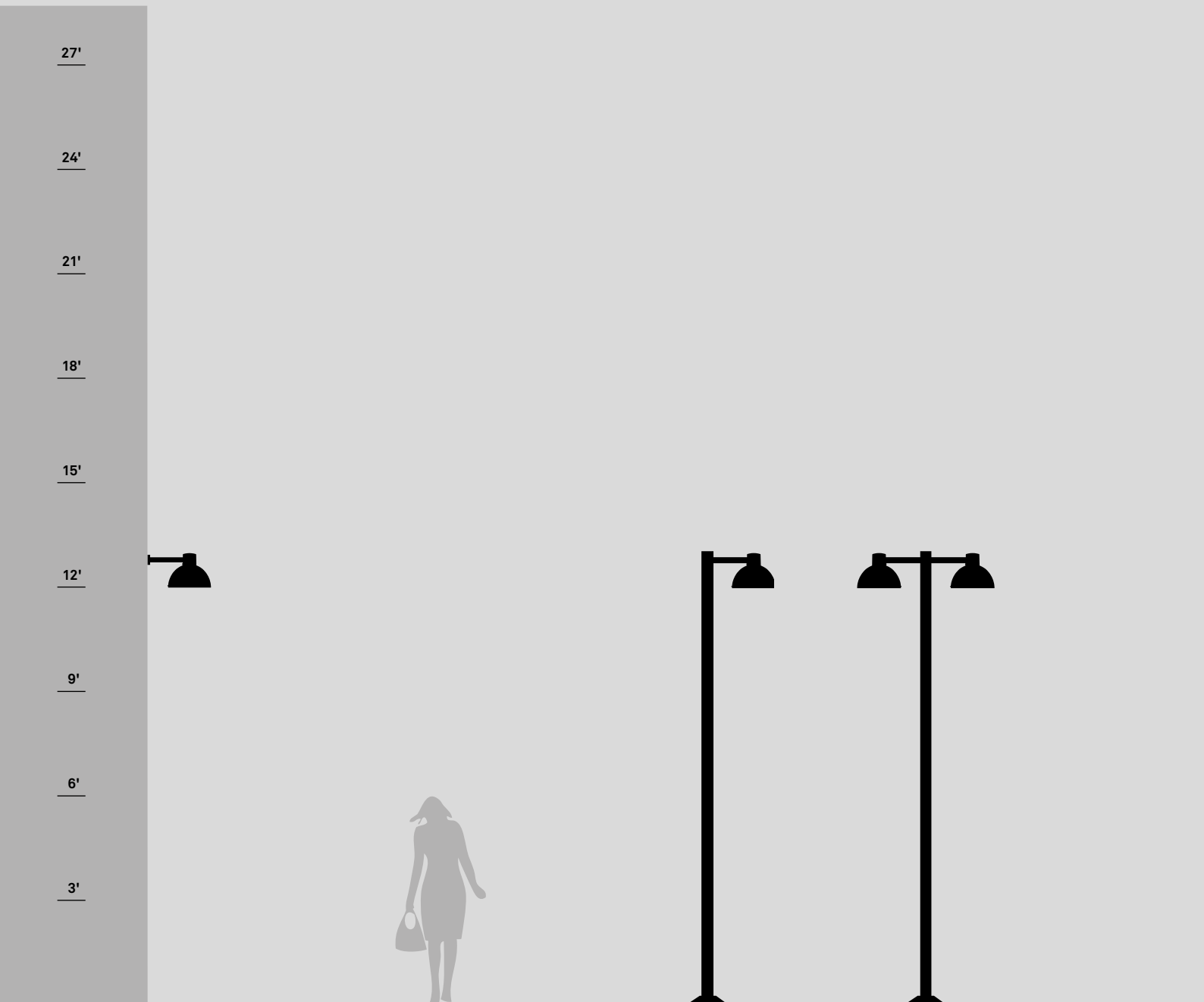
Nova M performs outstandingly against the most stringent standards in energy-efficient urban lighting.





NOVA M SYSTEM

The system is composed by single and double short arm lamp posts (12', 15' or 18' high) and one wall mounted option.



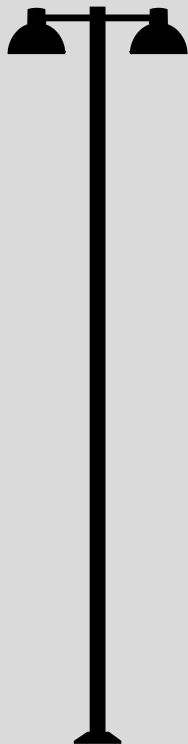
Wall mounted
luminaires Nova M

Post top luminaires
with arm Nova M
h 12'

Post top luminaires
with arms Nova M
h 12'



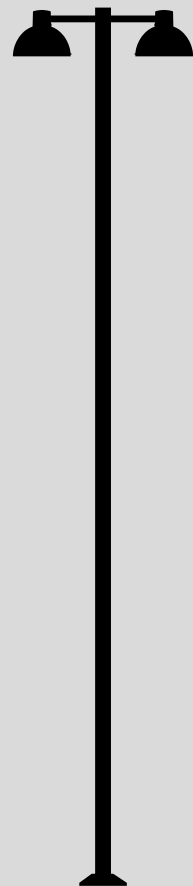
Post top luminaires
with arm Nova
h 15'



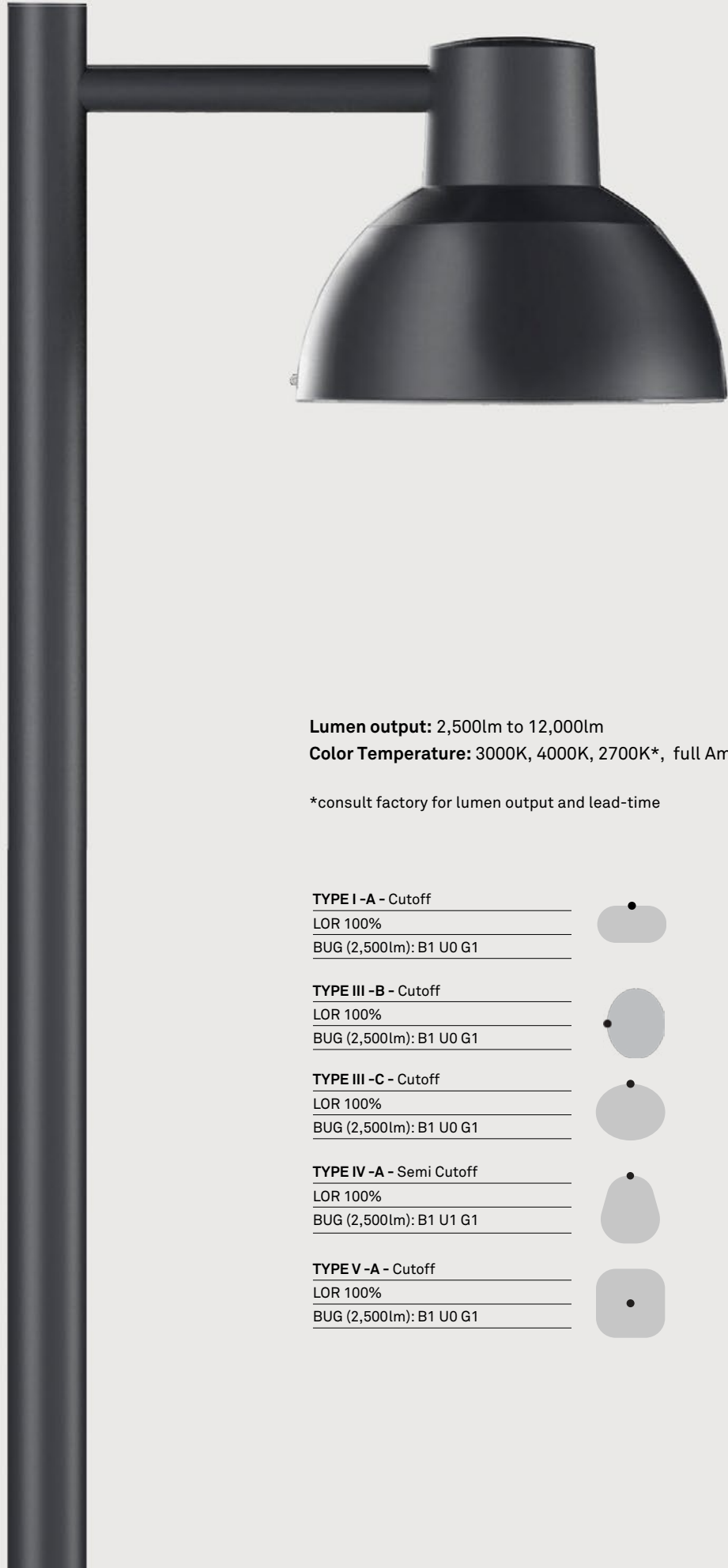
Post top luminaires
with arms Nova
h 15'



Post top luminaires
with arm Nova
h 18'



Post top luminaires
with arms Nova
h 18'



Lumen output: 2,500lm to 12,000lm

Color Temperature: 3000K, 4000K, 2700K*, full Amber*

*consult factory for lumen output and lead-time

TYPE I -A - Cutoff

LOR 100%

BUG (2,500lm): B1 U0 G1



TYPE III -B - Cutoff

LOR 100%

BUG (2,500lm): B1 U0 G1



TYPE III -C - Cutoff

LOR 100%

BUG (2,500lm): B1 U0 G1



TYPE IV -A - Semi Cutoff

LOR 100%

BUG (2,500lm): B1 U1 G1



TYPE V -A - Cutoff

LOR 100%

BUG (2,500lm): B1 U0 G1



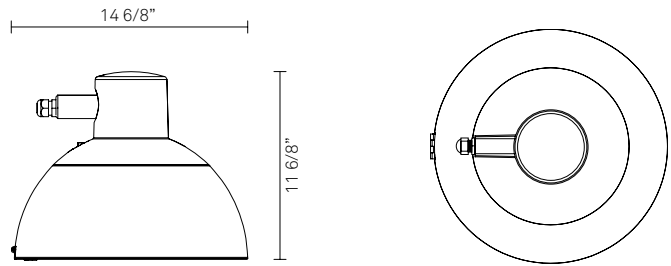
NOVA M

COMPLIANCE

UL Standard 1598, UL8750



SOURCE	LED
VOLTAGE	120-277V
FREQUENCY	50/60Hz
EPA	0.32 sqft
WEIGHT	17.19 LB
HEIGHT	11 6/8"
LENGHT	14 6/8"



Circular shaped lighting fixture installation on post or wall brackets, with coupling in hot galvanized steel tube (G3/4") threaded. The Nova is ideally for illuminating urban streets, park, cycle paths or pedestrian walkways.

Construction:

- Hemispherical upper frame with central cylindrical element equipped with a shank for coupling on $\varnothing 2 \frac{3}{8}$ " tube.
- Lower frame that can be opened by means of a hinge to access the auxiliary and optical compartment.
- White internal reflector.
- Shield in flat tempered prismatic glass with impact resistance IK07.
- Osmotic valve for balanced internal/ external pressure.
- Suitable for wet location.

Materials:

- Prismatic tempered glass.
- Stainless steel.

Finish:

- Standard color: Neri Gray on the upper part, White matt RAL 9010 on the lower part.
- Paint system (see specific technical sheet).

Mounting:

- Suitable for side mounting.

Operation and maintenance:

- Periodic maintenance for the external cleaning of the structure and the screens from dust and smog and tightening control to the support .

Electrical Features:

- Voltage: 120-277V (universal).
- Rated power: from 17.8 W to 82.9 W.
- Frequency: 50/60Hz.
- Protection rating: IP66, IK07.
- Operating temp.: -31°F / +104°F.
- Electronic power supply with protection against short circuits, overheating and power surges with an estimated duration of 112,000 h.
- Automatic disconnecter when opening.
- Terminal block for wires with max. section of 0.038 in².
- Input power cable with PG16 cable gland ($\varnothing 3/8$ "- $4/8$ ").

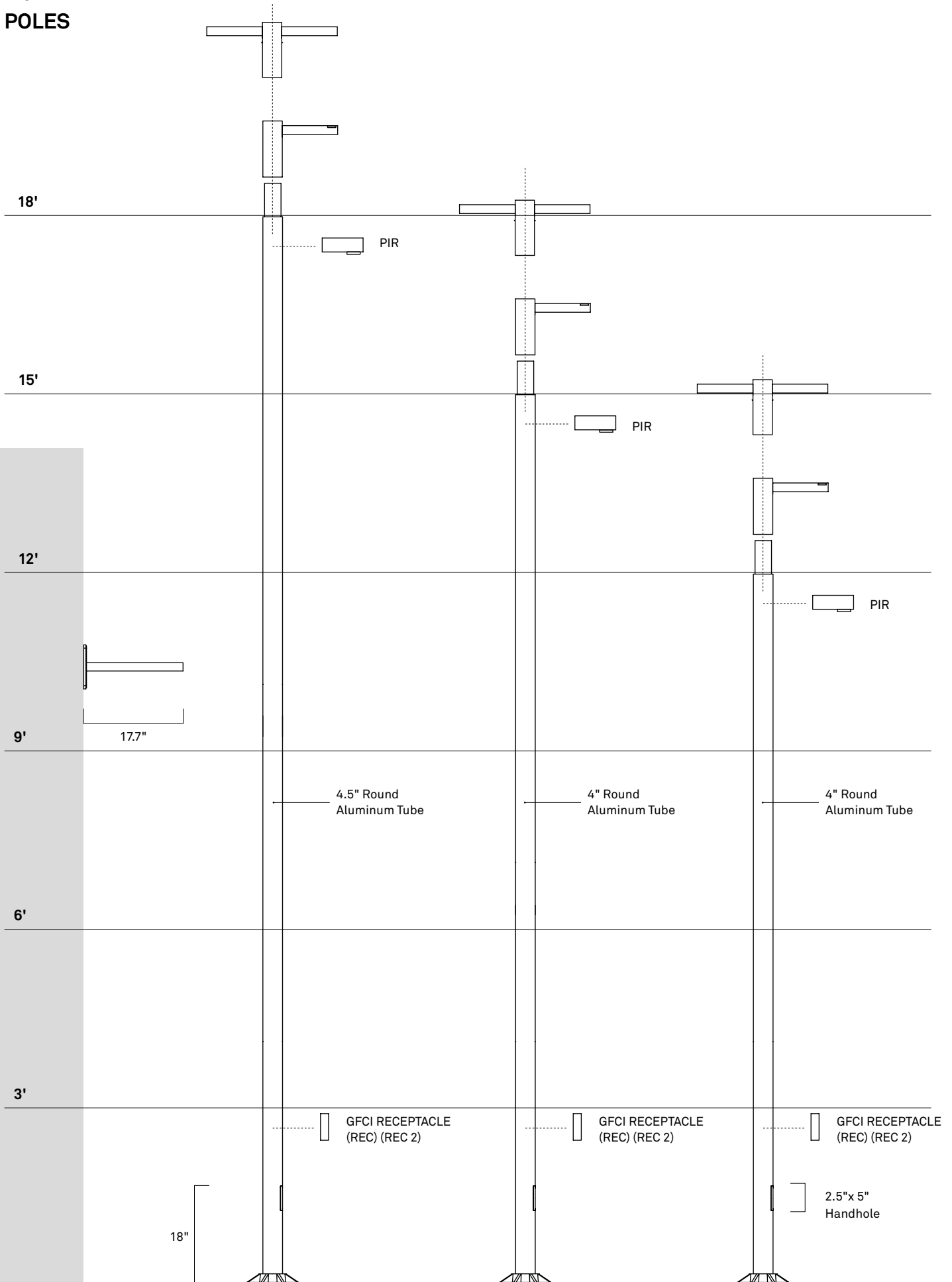
Optical Features:

- LED Type: Lumileds Luxeon 5050
- Source efficiency LED: 164 lm/W @ Tj=25°C, 800 mA, 3000K
- Source efficiency LED: 169 lm/W @ Tj=25°C, 800 mA, 4000K
- Lumen output: from 2,500 to 12,000 lm
- Color temperature: 3,000K - 4000K on request.
- Chromatic Rendering Index: > 80
- Estimated life: 100,000 hours (L90 - Tq25°C)

Driver Function:

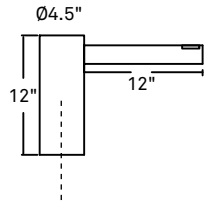
- 0-10V + NCL (Analogic control + Neri Constant Lumen)

NOVA M POLES



POLE INFORMATION
NOVA M POLES 12', 15', 18'

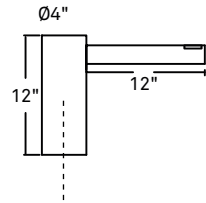
Nova single bracket



4" SCH. 40 Aluminum Pipe 6061-T6, 4.5" O.D., 0.237 WALL

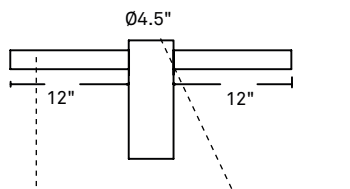
POLE INFORMATION
NOVA M POLES 12', 15'

Nova single bracket



4" Round Aluminum Tube, 0.188" WALL 6061-T6

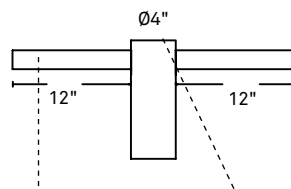
Nova double bracket



1-1/2" SCH 40 Aluminum Pipe, 6061-T6

Removable Cap

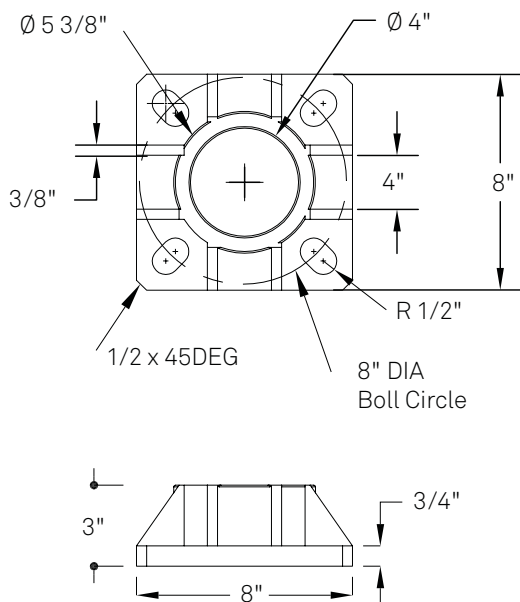
Nova double bracket



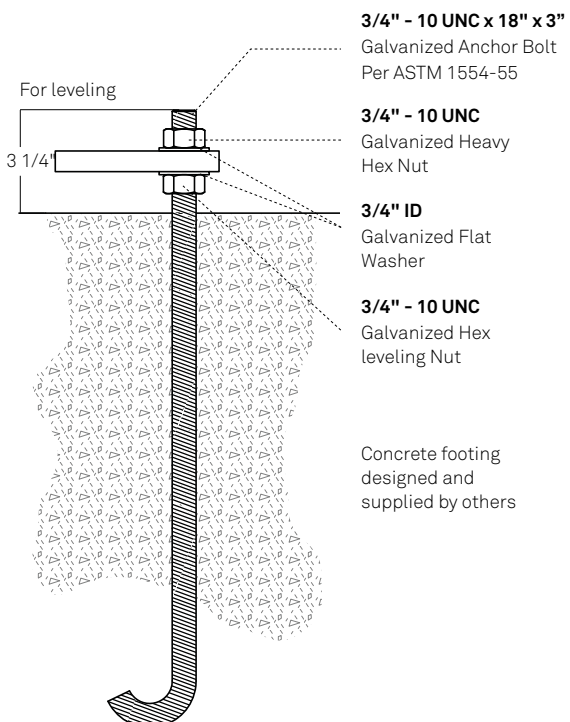
1-1/2" SCH 40 Aluminum Pipe, 6061-T6

Removable Cap

FLANGE DETAIL



ANCHOR BOLT FOR POLES 12', 15', 18'



3/4" - 10 UNC x 18" x 3"
Galvanized Anchor Bolt Per ASTM 1554-55

3/4" - 10 UNC
Galvanized Heavy Hex Nut

3/4" ID
Galvanized Flat Washer

3/4" - 10 UNC
Galvanized Hex leveling Nut

Concrete footing designed and supplied by others

NOVA M ACCESSORIES

1. Motion sensor

Continuous 0-10V dimming outdoor photo/motion sensor with Bluetooth technology. Designed for LED fixtures and rated for extreme temperatures. Fully adjustable high and low dimmed light levels. IP66 rated with choice of lenses for wet and outdoor locations, and mounting heights from 8' to 40'. (for more information reference FSP-3X1B series www.wattstopper.com)

2. Accessories (e.g. security camera, other sensors) mounting box

Wet rated enclosure that can accommodate security camera (provided by others) or any other additional sensors (provided by others). Integrated Cable passage hole. Neri Gray finishing.

3. Banner arm

Clamp on aluminum break away banner arm.

4a. GFCI Receptacle (low profile)

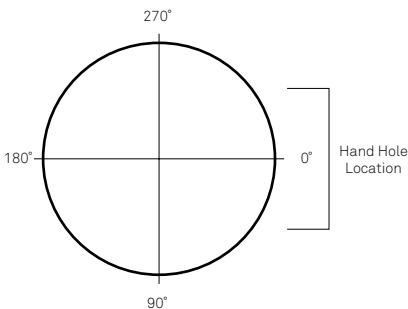
GFCI Receptacle (Type 1) - 120V 15A GFCI duplex receptacle with low profile weatherproof ultra-rugged polycarbonate self-closing profile. Located 36" (915mm) o.c. from base of pole, in-line with hand hole. Receptacle is intended only for portable tools or other portable equipment to be connected to outlet only when attended by operating personnel (120V only).

4b. GFCI Receptacle (padlockable in-use cover)

120V 15A GFCI duplex receptacle with weatherproof Heavy duty die-cast aluminum construction self-closing cover, padlockable in-use cover. Located 36" (915mm) o.c. from base of pole, in-line with hand hole. Receptacle is intended only for portable tools or other portable equipment to be connected to outlet only when attended by operating personnel (120V only).

5. Base cover

Die cast aluminum, two-piece field installable base cover.

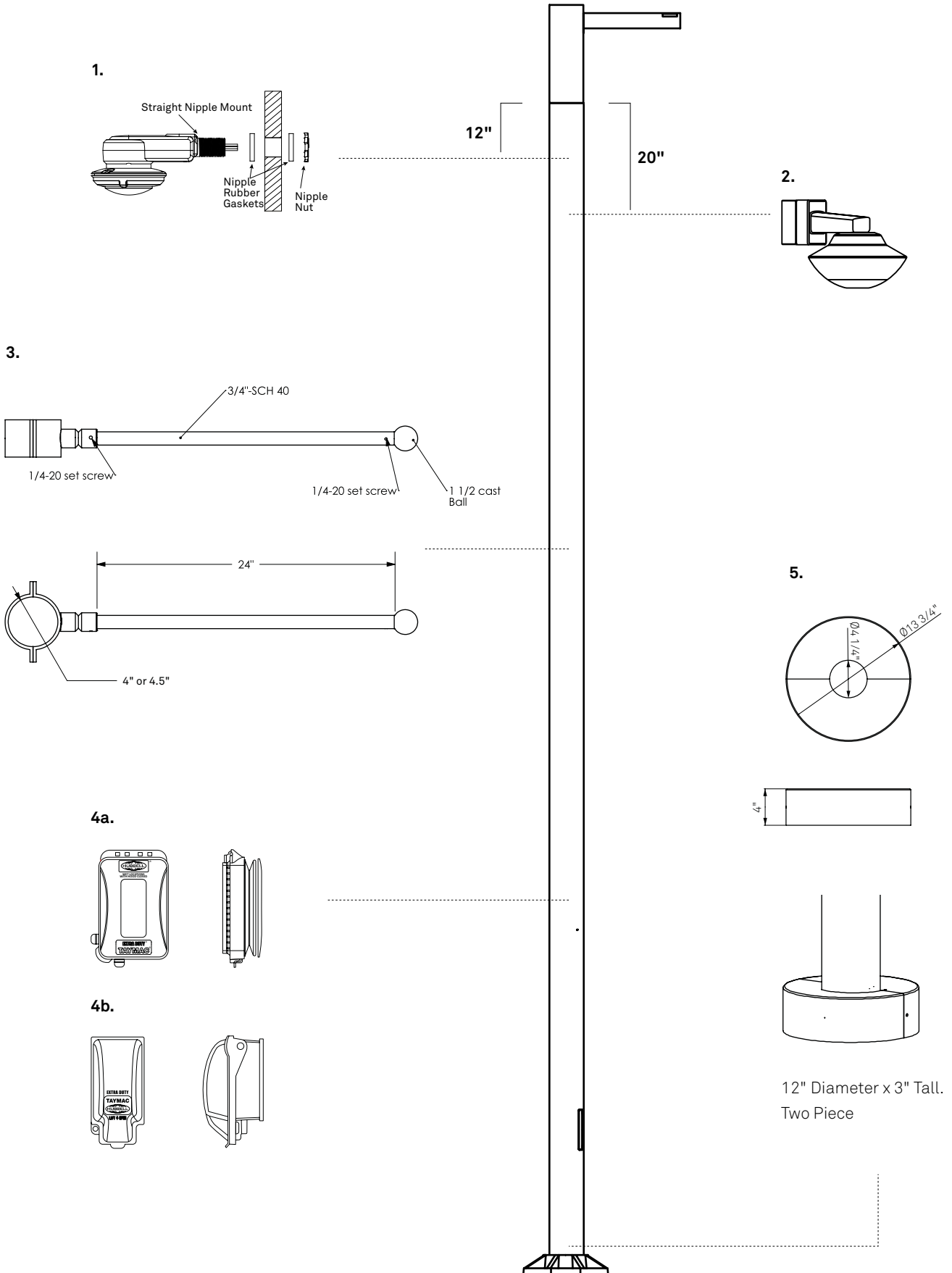


Accessories angular orientation:

0° = handhole position

Then 90° increments clockwise around pole

NOVA M ACCESSORIES



NOVA M CONFIGURATION

Fill in the gray spaces with the code associated with your selection.

LUMINAIRE

Code	Nova M				PR GL	0-10 NLC	NG+9010
Description	Luminaire	Optic system	CCT	Lumen output	Screen	Driver function	Finish
		TI - A = Type I - A	830 = 80/3000 K	2500lm	PR GL = Prismatic Glass	0-10 NLC	NG+9010
		TII - D = Type II - D	840 = 80/4000 K	3500lm			
		TIII - H = Type III - B		4500lm			
		TIV - A = Type IV - A	Amber = FWC Wildlife Approved *	6000lm			
		TV - A = Type V - A		7500lm			
				9000lm			
				10500lm			
				12000lm			

*NOTE: Consult factory for Amber lumen output and lead-time

LAMP POST

Code	P	A02		RT		Neri Gray			
Description	Product family	Product name	Height (feet)	Shape	Mounting	Finish	Motion sensor	Camera	GFCI Receptable
	P = Lamp post	A02 = Nova M	12 = 12ft 15 = 15ft 18 = 18ft	RT = Round Straight	[no code] = Without bracket SB = Single bracket DB = Double bracket	Neri Gray = Neri Gray	[no code] = Without Motion Sensor Arrangement OCC0 = With Motion Sensor Arrangement at 0° OCC90 = With Motion Sensor Arrangement 90°	[no code] = Without Camera Arrangement CAM0 = With Camera Arrangement at 0° CAM90 = With Camera Arrangement 90° CAM180 = With Camera Arrangement at 180° CAM270 = With Camera Arrangement at 270°	[no code] = Without GFCI arrangement GFCI-LP = with GFCI receptacle low profile GFCI-IN = with GFCI receptacle padlockable in-use cover

NOTE: pole is suitable for 180MPH and/or FBC (Florida Building Code) approved.

NOVA M CONFIGURATION

Fill in the gray spaces with the code associated with your selection.

WALL BRACKET

Code	WB	A02	SM	15IN	Neri Gray
Description	Product family	Product name	Version	Lenght	Finish
	WB = Wall bracket	A02 = Nova M	SM = Side	15IN = 15"	Neri Gray = Neri Gray

BASE COVER

Code	OP	AC1		12IN	Neri Gray
Description	Product family	Product name	Hole diameter	External diameter	Finish
	OP = Base cover	AC1 = Nova	4IN = Ø 4" 4.5IN = Ø 4.5"	12IN = Ø 12"	Neri Gray = Neri Gray

BANNER ARM

Code	OP	AB1			24IN	Neri Gray
Description	Product family	Product name	Fixing diameter	Type	Lenght	Finish
	OP = Banner arm	AB1 = Nova	4IN = Suitable for Ø 4" 4.5IN = Suitable for Ø 4.5"	1BA = Single 2BA = Double	24IN = 24"	Neri Gray = Neri Gray

ANTARES

Antares is designed for post top and side mounting, characterized by clean and geometric lines; standard configuration with eight different lighting distributions, three colour temperatures and lumen packages up to 21,000lm.





9636





ANTARES SYSTEM

The system is composed by single and double lamp posts.

27'

24'

21'

18'

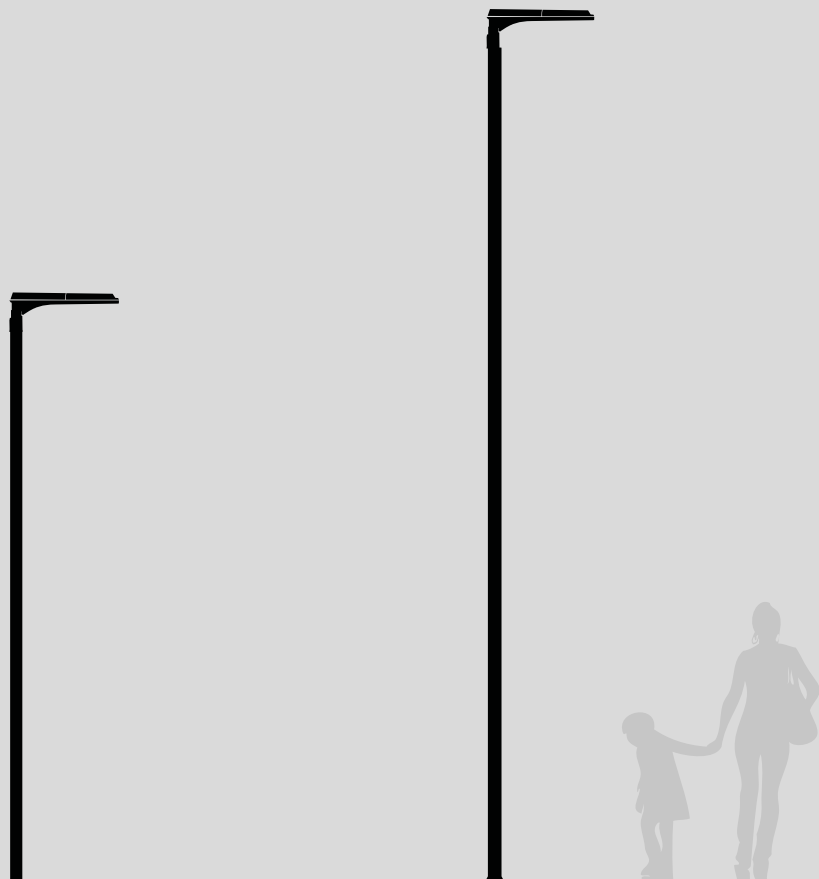
15'

12'

9'

6'

3'

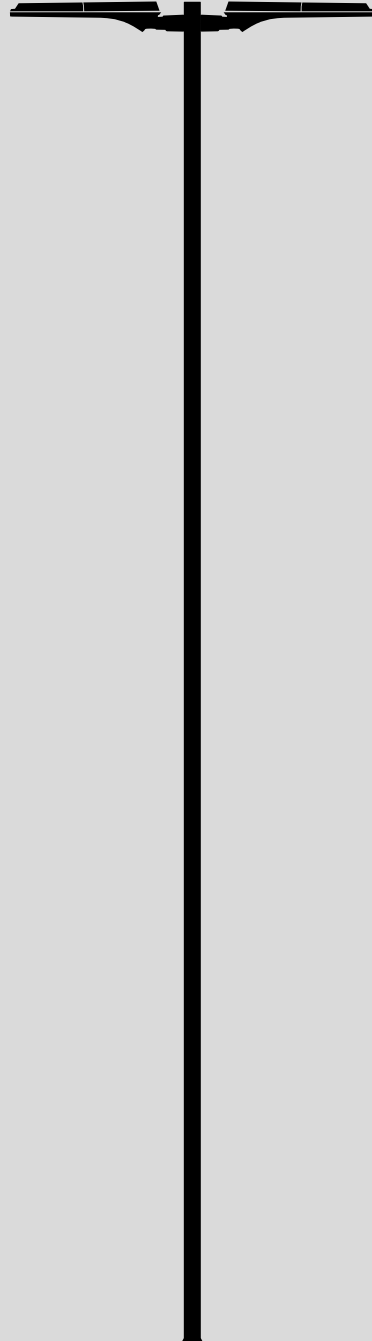


Post top luminaires
Antares S
h: 12 ft, 4 in diam

Post top luminaires
Antares S
h: 18 ft, 4,5 diam

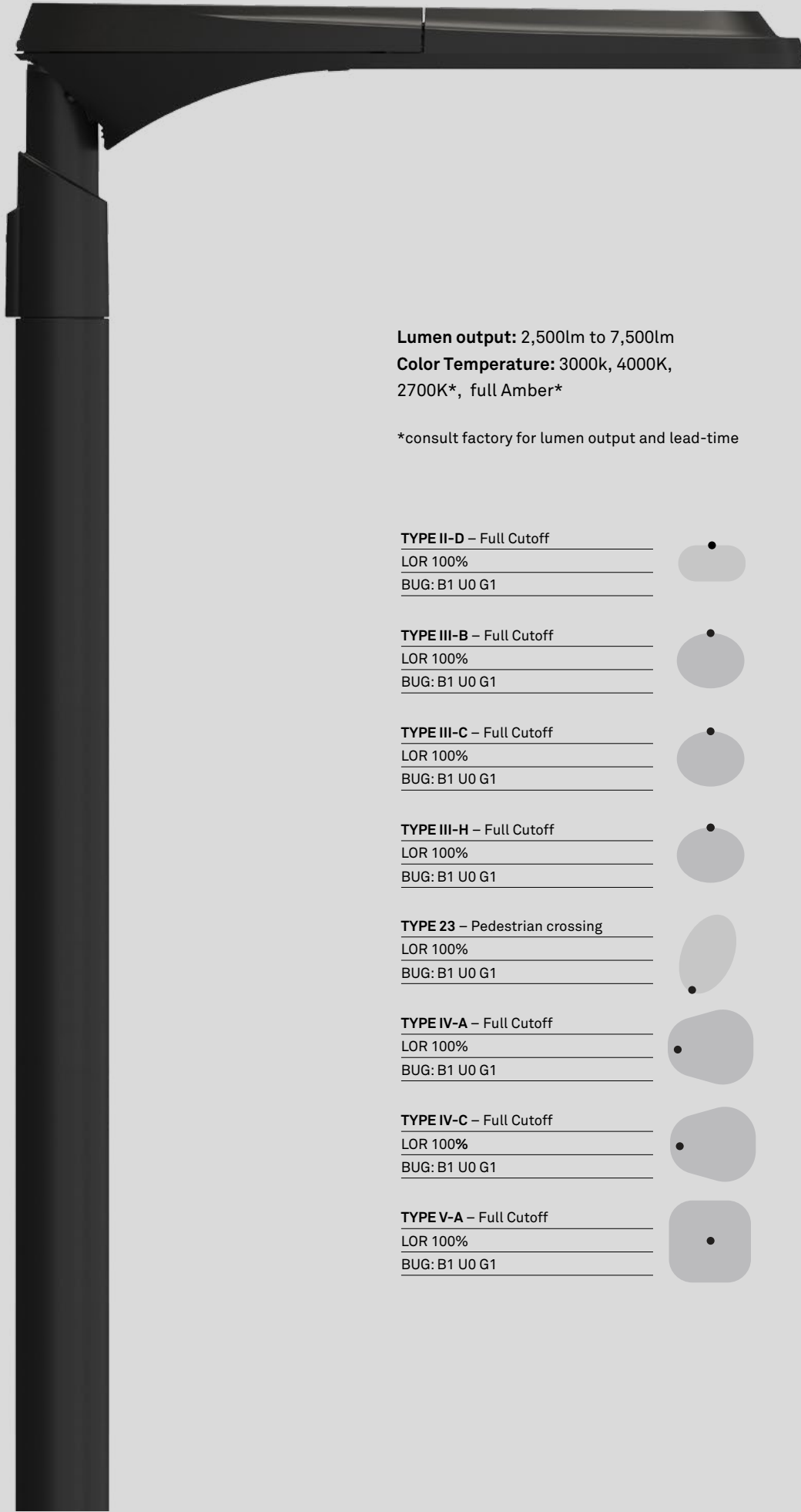


Side mounted
Antares L
h: 21 ft, 5 in diam



Side mounted
Antares L
h: 24 ft, 5 in diam

ANTARES L



Lumen output: 2,500lm to 7,500lm

Color Temperature: 3000k, 4000K,
2700K*, full Amber*

*consult factory for lumen output and lead-time

TYPE II-D – Full Cutoff

LOR 100%

BUG: B1 U0 G1



TYPE III-B – Full Cutoff

LOR 100%

BUG: B1 U0 G1



TYPE III-C – Full Cutoff

LOR 100%

BUG: B1 U0 G1



TYPE III-H – Full Cutoff

LOR 100%

BUG: B1 U0 G1



TYPE 23 – Pedestrian crossing

LOR 100%

BUG: B1 U0 G1



TYPE IV-A – Full Cutoff

LOR 100%

BUG: B1 U0 G1



TYPE IV-C – Full Cutoff

LOR 100%

BUG: B1 U0 G1



TYPE V-A – Full Cutoff

LOR 100%

BUG: B1 U0 G1



ANTARES L

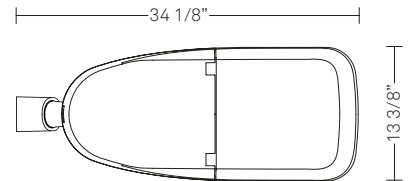
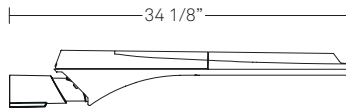
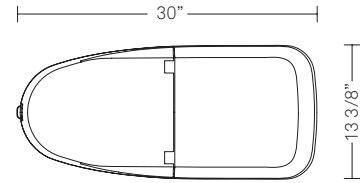
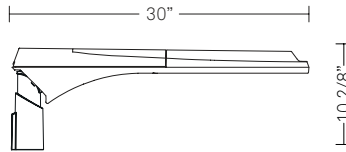
COMPLIANCE

UL Standard 1598, UL8750



Vibration rating ANSI C136.31 - Level 1
Caltrans complain - State of California
Department of Transportation

SOURCE	LED
VOLTAGE	120-277V
FREQUENCY	50/60Hz
EPA	0.83 sqft
WEIGHT	28.66lb
HEIGHT	5 5/8" - 10 2/8"
LENGHT	30"
WIDTH	13 3/8"



SPECIFICATION:

Construction:

- Tilting upper frame in aluminum to access the wiring compartment.
- Shield in flat tempered glass with impact resistance IK08 fixed by angle brackets.
- Silicone gasket between the lower frame and cover.
- Integrated heat sink in cast aluminum in continuity with the external frame.
- Polycarbonate reflector.
- Osmotic valve to balance internal/external pressure.
- Dedicated space for any surge protection devices or remote control systems.
- Suitable for wet location.

Materials:

- Stainless steel

Finish:

- Standard color: Neri Gray
- Paint system (see specific technical sheet).

Mounting:

- Suitable for post-top and side mounting on tubes from $\varnothing 1\ 7/8"$ to $\varnothing 2\ 3/8"$, (external diameter $\varnothing 3"$).
- Bracket with a tilting system of 20° (5° step).

- Adjustable from 0° to +20° with post top configuration and from -5° to +15° with outreach configuration.
- Fixing by two grub screws M8 lock nuts with stainless steel.

Operation and maintenance:

- Periodic maintenance for the external cleaning of the structure and the screens from dust and smog and tightening control to the support.

Accessories (on request):

- NEMA Socket (3 or 7 pin).
- PIR presence detector.
- Round / square post universal mounting bracket adapter (code 0006.064.089) suitable for post with diameter from 3" to 6".

TECHNICAL DATA:

Electrical:

- Voltage: 120-277V (universal).
- Rated power: from 46.9 W to 132.6 W.
- Frequency: 50/60Hz.
- Protection rating: IP66, IK08.
- Operating temp.: -31°F / +122°F.
- Electronic power supply with protection against short circuits, overheating and power surges with an estimated duration of 100,000 h.

Optical Features:

- LED Type: Lumileds Luxeon 5050
- LED source efficiency: 164 lm/W @ $T_j=25^\circ\text{C}$, 800 mA, 3,000K
- LED source efficiency: 169 lm/W @ $T_j=25^\circ\text{C}$, 800 mA, 4,000K
- Lumen output: from 7,500 to 21,000 lm
- Color temperature: 2,700K, 3,000K or 4,000K.
- Chromatic Rendering Index: > 70
- Estimated life: 100,000 hours ($T_q25^\circ\text{C}$)

DRIVER FUNCTION:

ON/OFF + NCL

(Analogic control + Neri Constant Lumen)

0-10V + NCL

(Analogic control + Neri Constant Lumen)

ANTARES S



Lumen output: 2,500lm to 10,500lm
Color Temperature: 3000k, 4000K,
2700K*, full Amber*

*consult factory for lumen output and lead-time

TYPE II-D – Full Cutoff

LOR 100%

BUG: B1 U0 G1



TYPE III-B – Full Cutoff

LOR 100%

BUG: B1 U0 G1



TYPE III-C – Full Cutoff

LOR 100%

BUG: B1 U0 G1



TYPE III-H – Full Cutoff

LOR 100%

BUG: B1 U0 G1



TYPE 23 – Pedestrian crossing

LOR 100%

BUG: B1 U0 G1



TYPE IV-A – Full Cutoff

LOR 100%

BUG: B1 U0 G1



TYPE IV-C – Full Cutoff

LOR 100%

BUG: B1 U0 G1



TYPE V-A – Full Cutoff

LOR 100%

BUG: B1 U0 G1



ANTARES S

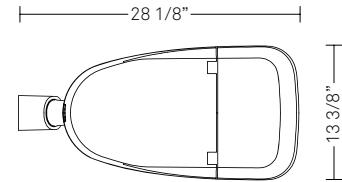
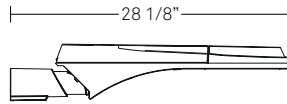
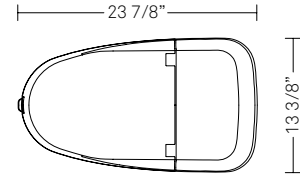
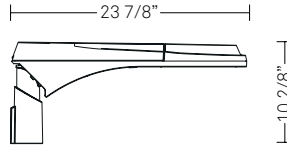
COMPLIANCE

UL Standard 1598, UL8750



Vibration rating ANSI C136.31 - Level 1
Caltrans complain - State of California
Department of Transportation

SOURCE	LED
VOLTAGE	120-277V
FREQUENCY	50/60Hz
EPA	0.80 sqft
WEIGHT	23lb
HEIGHT	5 5/8" - 10 2/8"
LENGHT	23 7/8"
WIDTH	13 3/8"



SPECIFICATION:

Construction:

- Tilting upper frame in aluminum to access the wiring compartment.
- Shield in flat tempered glass with impact resistance IK08 fixed by angle brackets.
- Silicone gasket between the lower frame and cover.
- Integrated heat sink in cast aluminum in continuity with the external frame.
- Polycarbonate reflector.
- Osmotic valve to balance internal/external pressure.
- Dedicated space for any surge protection devices or remote control systems.
- Suitable for wet location.

Materials:

- Stainless steel

Finish:

- Standard color: Neri Gray
- Paint system (see specific technical sheet).

Mounting:

- Suitable for post-top and side mounting on tubes from $\varnothing 1 7/8"$ to $\varnothing 2 3/8"$, (external diameter $\varnothing 3"$).
- Bracket with a tilting system of 20° (5° step).

- Adjustable from 0° to +20° with post top configuration and from -5° to +15° with outreach configuration.
- Fixing by two grub screws M8 lock nuts with stainless steel.

Operation and maintenance:

- Periodic maintenance for the external cleaning of the structure and the screens from dust and smog and tightening control to the support.

Accessories (on request):

- NEMA Socket (3 or 7 pin).
- PIR presence detector.
- Round / square post universal mounting bracket adapter (code 0006.064.089) suitable for post with diameter from 3" to 6".

- Operating temp.: -31°F / +122°F.
- Electronic power supply with protection against short circuits, overheating and power surges with an estimated duration of 100,000 h.

Optical Features:

- LED Type: Lumileds Luxeon 5050 LED source efficiency: 164 lm/W @ Tj=25°C, 800 mA, 3,000K
LED source efficiency: 169 lm/W @ Tj=25°C, 800 mA, 4,000K
- Lumen output: from 2,500 to 10,500 lm
- Color temperature: 2,700K, 3,000K, 4,000K or full Amber.
- Chromatic Rendering Index: > 70
- Estimated life: 100,000 hours (L90 - Tq25°C)

DRIVER FUNCTION:

ON/OFF + NCL

(Analogic control + Neri Constant Lumen)

0-10V + NCL

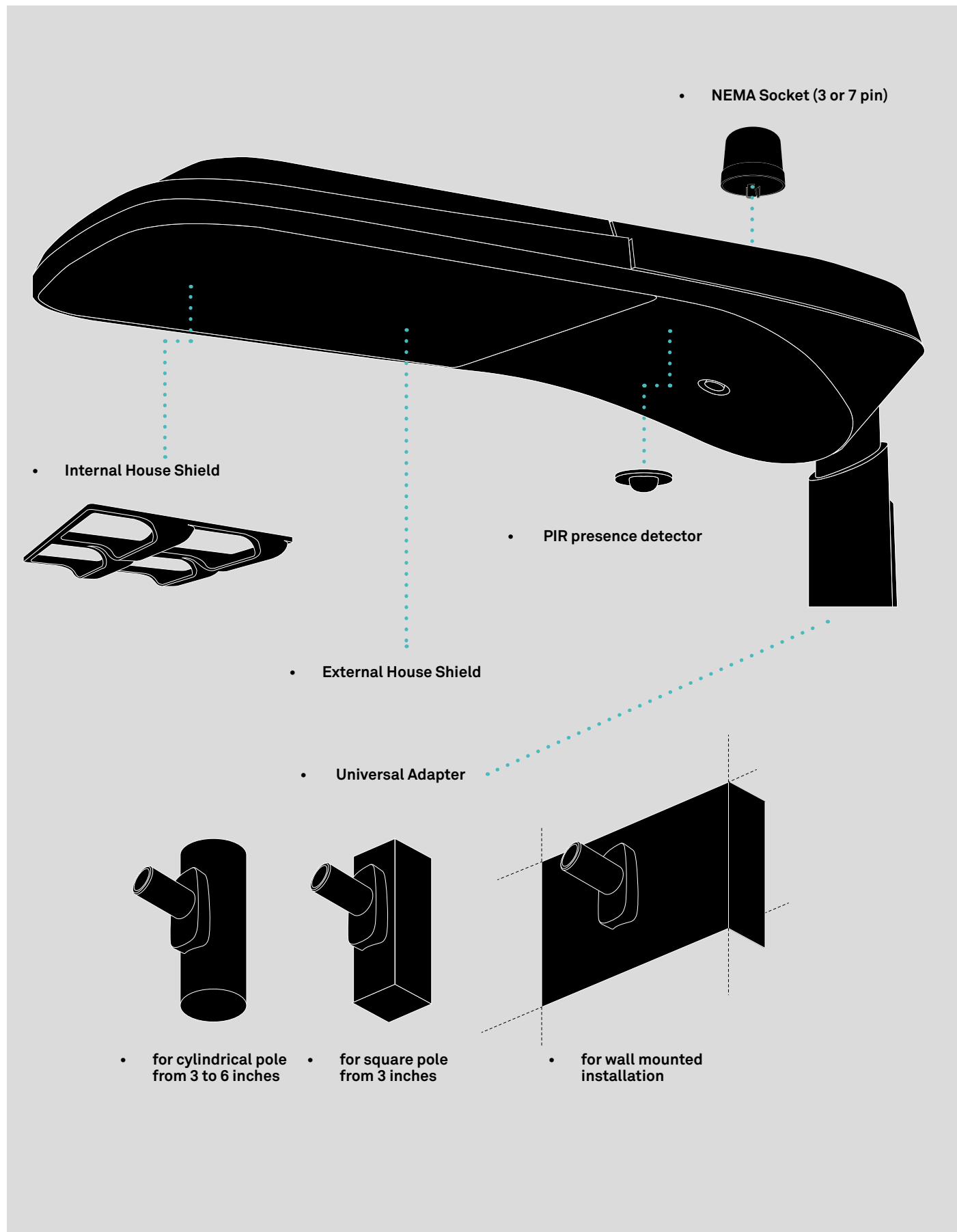
(Analogic control + Neri Constant Lumen)

TECHNICAL DATA:

Electrical:

- Voltage: 120-277V (universal).
- Rated power: from 46.9 W to 132.6 W.
- Frequency: 50/60Hz.
- Protection rating: IP66, IK08.

ANTARES L ACCESSORIES



ANTARES L CONFIGURATION

Fill in the gray spaces with the code associated with your selection.

LUMINAIRE CONFIGURATION

Code	Antares L					TR GL		0-10 NLC	NG
Description	Luminaire	Optic system	CCT	Lumen output	House Shield	Screen	Options	Driver function	Finish
	Type II-D		270 = 80/2700*	7500 lm	HIS - Internal Back Spill	transparent glass	SP2 - Integrated Sensor Presence up to 20ft	0-10 V dimmin costan lumen output	NG = Neri Grey
	Type III-B		830 = 80/3000	9000 lm					
	Type III-C		840 = 80/4000K	10500 lm	EHS - External House Shield		SP3 - Integrated Sensor Presence over 20ft		
	Type III-H		"Amber = FWC Wildlife Approved*	12000 lm			NE5 - NEMA 5		
	Type IV-A			13500 lm			NE7 - NEMA 7		
	Type IV-C			15000 lm					
	Type V-A			18000 lm					
	Type 23 Pedestrian crossing			21000 lm					

*NOTE:Consult factory for Amber lumen output and lead-time

ANTARES S CONFIGURATION

Fill in the gray spaces with the code associated with your selection.

LUMINAIRE CONFIGURATION

Code	Antares S					TR GL		0-10 NLC	NG
Description	Luminaire	Optic system	CCT	Lumen output	House Shield	Screen	Options	Driver function	Finish
	Type I-A		270 = 80/2700*	2500 lm	HIS - Internal Back Spill	transparent glass	SP2 - Integrated Sensor Presence up to 20ft	0-10 V dimmin costan lumen output	NG = Neri Grey
	Type II-D		830 = 80/3000	3500 lm					
	Type III-B		840 = 80/4000K	4500 lm	EHS - External House Shield		SP3 - Integrated Sensor Presence over 20ft		
	Type III-C		"Amber = FWC Wildlife Approved*	6000 lm			NE5 - NEMA 5		
	Type III-H			7500 lm			NE7 - NEMA 7		
	Type IV-A			9000 lm					
	Type IV-C			10,500lm					
	Type 23 Pedestrian crossing								

*NOTE:Consult factory for Amber lumen output and lead-time

Neri S.p.A.
S.S. Emilia 1622
47020 Longiano (FC) · Italy
T +39 0547 652111
F +39 0547 54074

Neri North America Inc.
1547NW 79th Avenue
Miami, FL 33126, USA
T +1 786 315 4367
F +1 786 693 7763

Neri Lighting India Pvt. Ltd.
282 Evoma
14 Bhattarahalli · K R Puram
Old Madras Road, Bangalore · 560 049
T +91 80 3061 3658

Neri S.p.A. (DMCC Branch)
29-29 Reef Tower Cluster O
JLT – Jumeirah Lake Towers
P.O. Box: 5003348 · Dubai · UAE
T +971 4 448 7246
F +971 4 448 7112

